

PARTS LIST

WESTERBEKE

60 Hz

33.0 EDE

50 Hz

26.0 EDE

Marine Diesel Generators

Digital Diesel (D-Net)

PRELIMINARY PUBLICATION

RELEASED MAY 2013



NMMA Member National Marine Manufacturers Association

IMPORTANT
Product Software Disclaimer

Product software of all kinds, such as brochures, drawing, technical data, operator's and workshop manuals, parts lists and parts price lists, and other information, instructions and specifications provided from sources other than Westerbeke, is not within Westerbeke's control and; accordingly, is provided to Westerbeke customers only as a courtesy and service. Westerbeke cannot be responsible for the content of such software, makes no warranties or representations with respect thereto, including the accuracy, timeliness or completeness thereof, and will in no event be liable for any type of damages or injury incurred in connection with, or arising out of, the furnishing or use of such software.

For example, components and subassemblies incorporated in Westerbeke's products and supplied by others (such as engine blocks, fuel systems and components, transmissions, electrical components, pumps and other products) are generally supported by their manufacturers with their own software, and Westerbeke must depend on such software for the design of Westerbeke's own product software. Such software may be outdated and no longer accurate. Routine changes made by Westerbeke's suppliers, of which Westerbeke rarely has notice in advance, are frequently not reflected in the supplier's software until after such changes take place.

Westerbeke customers should also keep in mind the time span between printings of Westerbeke product software and the unavoidable existence of earlier, non-current, Westerbeke software editions in the field. Additionally, most Westerbeke products include customer-requested special features that frequently do not include complete documentation.

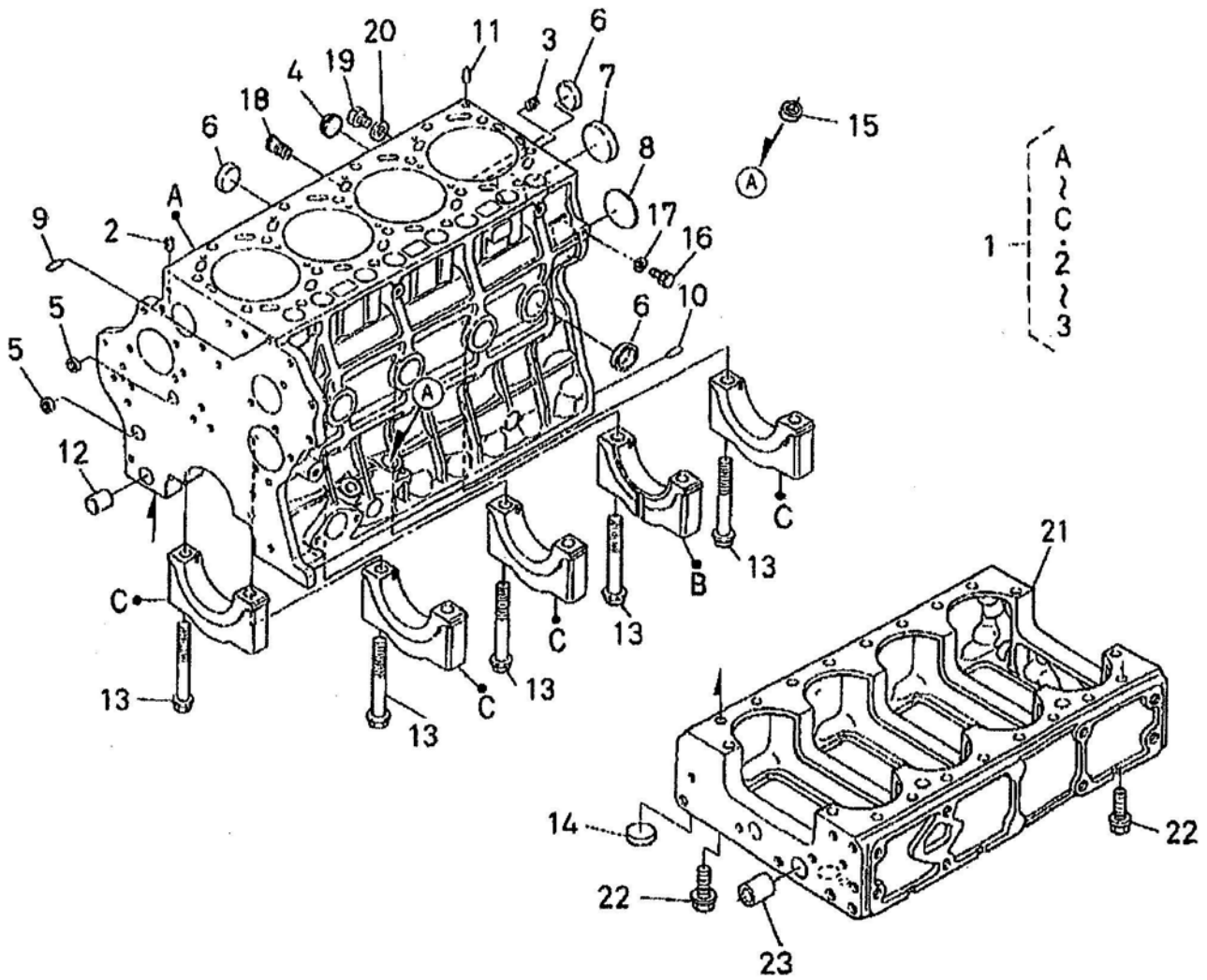
In summation, product software provided with Westerbeke products, whether from Westerbeke or other suppliers, must not and cannot be relied upon exclusively as the definitive authority on the respective product. It not only makes good sense but is imperative that appropriate representatives of Westerbeke or the supplier in question be consulted to determine the accuracy and currency of the product software being consulted by the customer.

This Parts List covers a family of generators where most of the parts are common, however be sure to note the proper parts for your application. Also references in the book refer to the 60 Hertz model but are applicable for the corresponding 50 Hertz model listed in the chart below.

60 Hz	50 Hz
33.0 EDE	26.0 EDE

PAGE	DESCRIPTION
100	CRANKCASE
102	OIL PAN
104	CYLINDER HEAD
106	VALVES AND ROCKERS
108	HEAD COVER
110	CAMSHAFT AND IDLE GEAR SHAFT
112	PISTON AND CRANKSHAFT
114	GEAR CASE
116	INJECTION PUMP HOUSING
118	GOVERNOR SYSTEM
120	GOVERNOR SYSTEM
122	FUEL SYSTEM
124	NOZZLE HOLDER
126	OIL FILTER, OIL COOLER, DIPSTICK & GUIDE
128	FRESH WATER SYSTEM
130	FRESH WATER SYSTEM
132	SEA WATER PUMP
134	FLYWHEEL, HOUSING, GENERATOR, REAR MAIN SEAL
136	MOUNTING SYSTEM
138	PANEL BOX ASSEMBLY
140	PANEL BOX ASSEMBLY
142	ELECTRICAL
144	ELECTRICAL
146	REMOTE CONTROL PANEL
148	MISCELLANEOUS

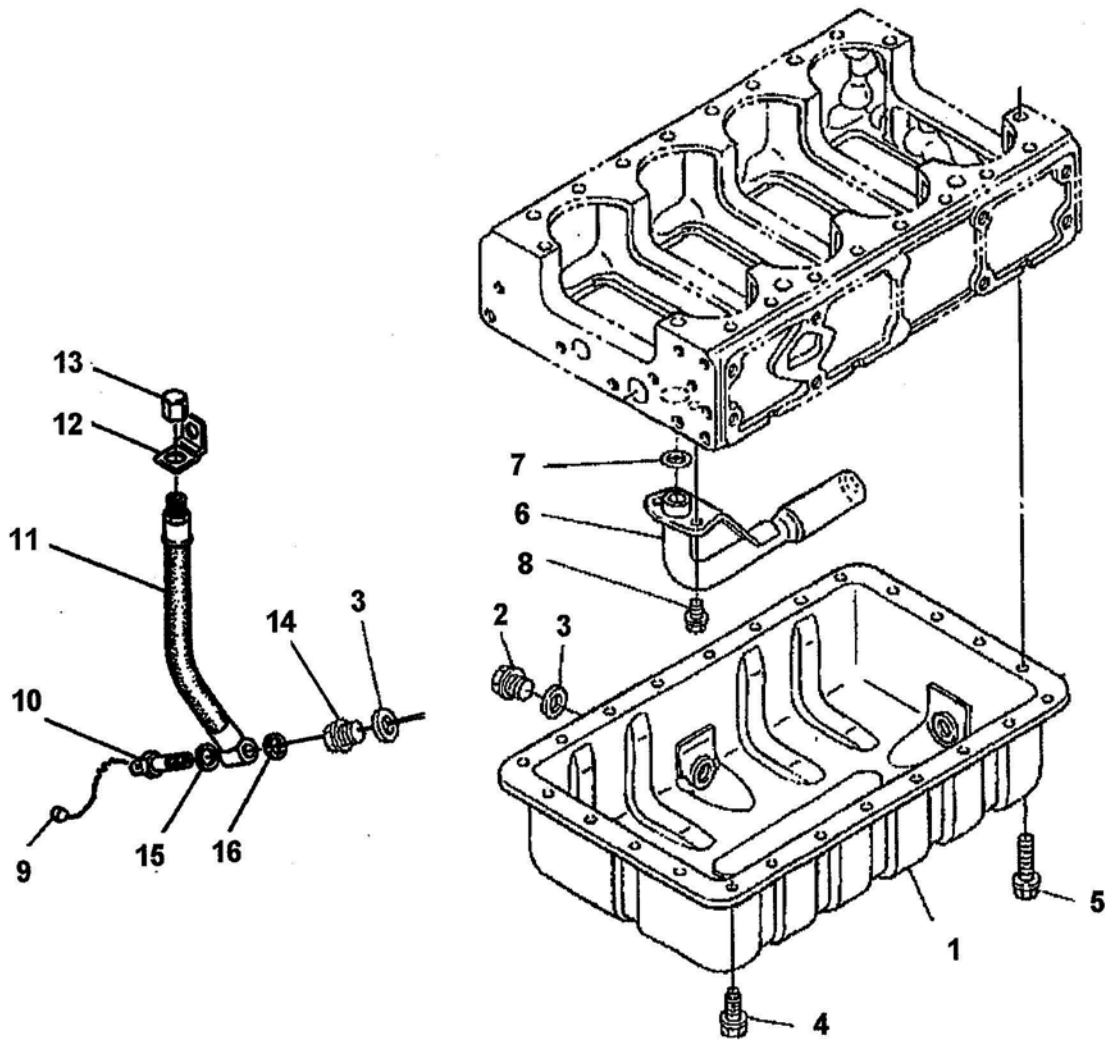
DIGITAL DIESEL - 33.0 EDE - 26.0 EDE - CRANKCASE



DIGITAL DIESEL - 33.0 EDE - 26.0 EDE - CRANKCASE

Reference #	Part #	Part Name	Remarks	Quantity
1	NA	BLOCK	BARE	
2	302587	PLUG		1
3	053272	PLUG		1
4	200956	PLUG		1
5	302690	PLUG	EXPANSION	2
6	299897	PLUG	EXPANSION	2
7	299958	PLUG	EXPANSION	1
8	053274	PLUG	EXPANSION	1
9	053121	DOWEL	5MM x 20MM	1
10	053122	DOWEL	10MM x 16MM	1
11	301485	PIN		1
12	053207	DOWEL		1
13	053151	BOLT	MAIN BEARING CAP	10
14	299897	PLUG	EXPANSION	1
15	302690	PLUG	EXPANSION	1
16	298658	PLUG		1
17	298659	GASKET		1
18	053218	NIPPLE		1
19	053124	PLUG	BLOCK DRAIN	1
20	053113	GASKET	BLOCK DRAIN	1
21	053144	BLOCK	LOWER	1
22	NA	CAPSCREW		
23	053208	DOWEL		1
	054556	ENGINE	BLOCK ASSY (RUNNING BLOCK ASSEMBLY)	1

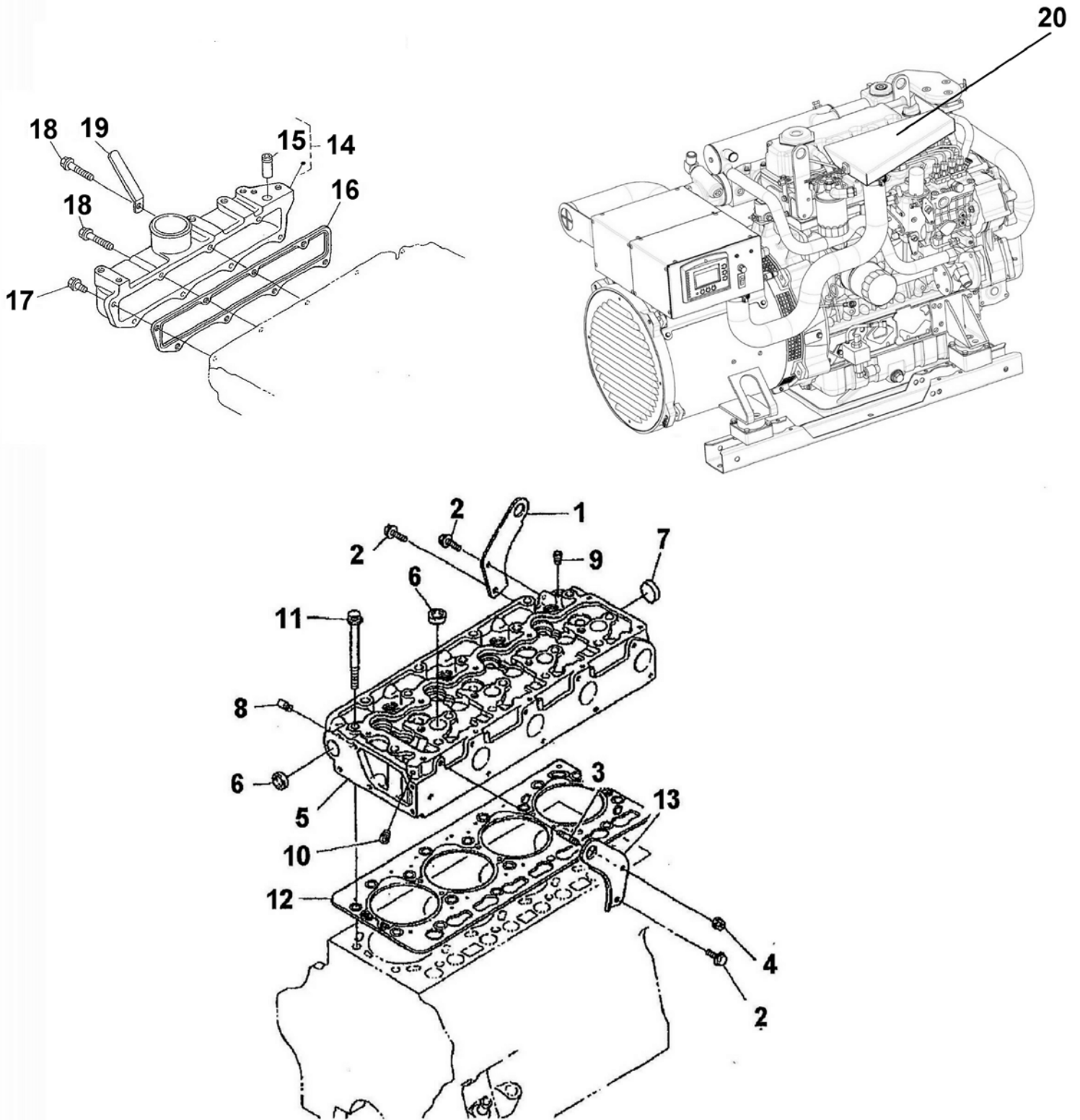
DIGITAL DIESEL - 33.0 EDE - 26.0 EDE - OIL PAN



DIGITAL DIESEL - 33.0 EDE -26.0 EDE - OIL PAN

Reference #	Part #	Part Name	Remarks	Quantity
1	053145	SUMP	OIL	1
2	300151	PLUG	SUMP DRAIN	1
3	300612	GASKET	SUMP DRAIN PLUG	2
4	053269	BOLT	SUMP	20
5	NA	BOLT	FLANGE	4
6	053202	STRAINER	OIL PICKUP	1
7	053115	O-RING		1
8	048463	CAPSCREW	M 8x14	1
9	037393	SEAL	LEAD WIRE	1
10	036823	BOLT	BANJO-SUMP M12	1
11	030846	HOSE	SUMP DRAIN 17-1/2 LG	1
12	024922	BRACKET	SUMP DRAIN HOSE	1
13	024905	CAP	1/4 NPT	1
14	301023	ADAPTER	SUMP DRAIN	1
15	036493	WASHER		1
16	036647	WASHER		1

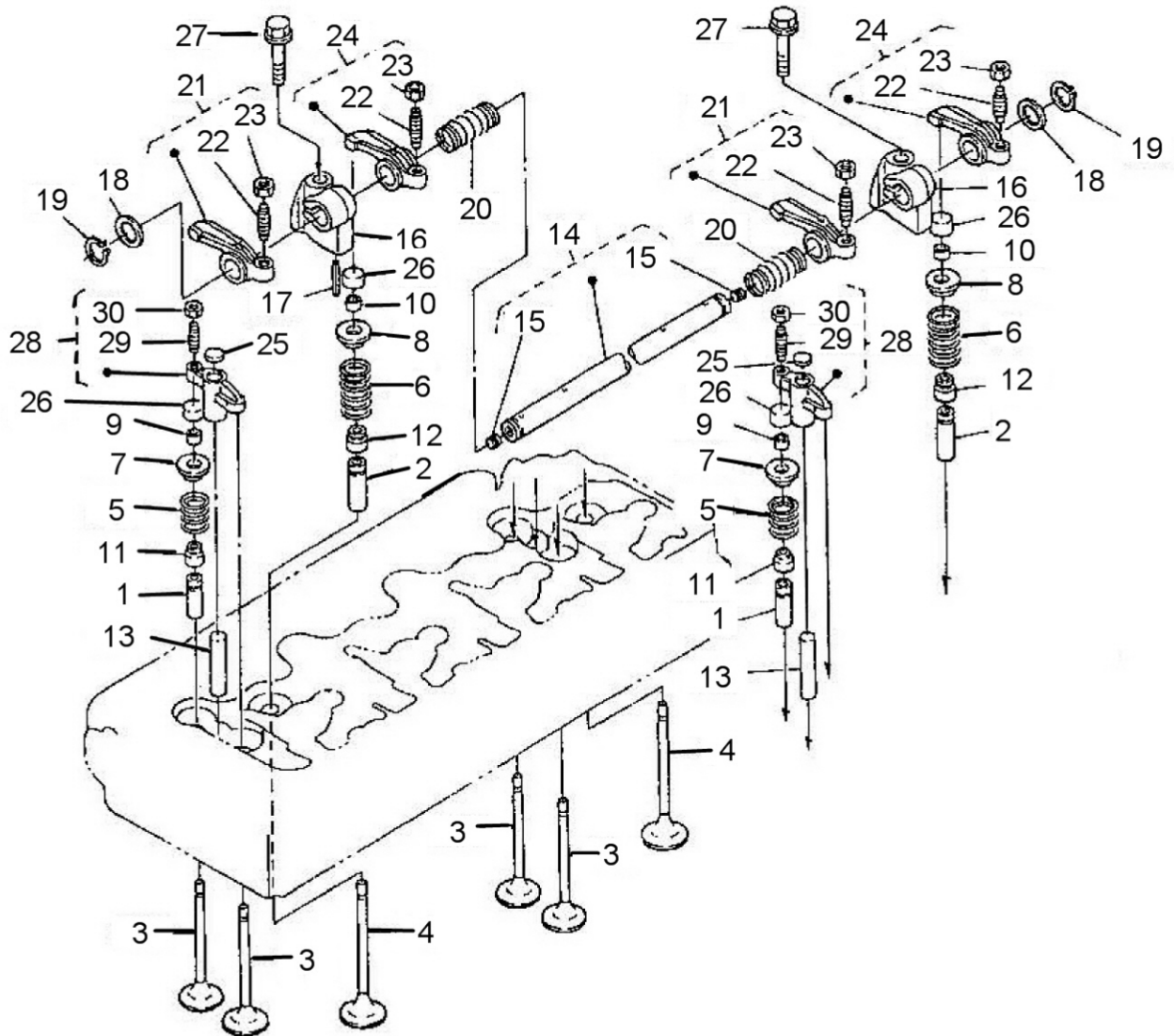
DIGITAL DIESEL - 33.0 EDE - 26.0 EDE - CYLINDER HEAD



DIGITAL DIESEL - 33.0 EDE - 26.0 EDE - CYLINDER HEAD

Reference #	Part #	Part Name	Remarks	Quantity
1	052912	EYE	LIFTING FRONT	1
2	299031	CAPSCREW	M 8x20	3
3	200657	STUD		1
4	033668	NUT	M 8	1
5	053303	HEAD	CYLINDER	1
6	299898	PLUG	EXPANSION	5
7	299355	PLUG	EXPANSION 35MM	1
8	302589	PLUG		4
9	302587	PLUG		1
10	301550	PLUG		1
11	053146	BOLT	CYLINDER HEAD	18
12-1	053283	GASKET	HEAD 0.90MM	1
12-2	053284	GASKET	HEAD 1.00MM	1
12-3	053285	GASKET	HEAD 1.05MM	1
13	052911	EYE	LIFTING FRONT	1
14	053159	MANIFOLD	INTAKE	1
15	200747	CONNECTOR	BREATHER HOSE	1
16	053160	GASKET	INTAKE MANIFOLD	1
17	033654	CAPSCREW	M 8x20	5
18	033649	CAPSCREW	M 8x65	3
19	053131	CLAMP	HOSE SUPPORT	1
20	052908	PLENUM	INTAKE SILENCER	1

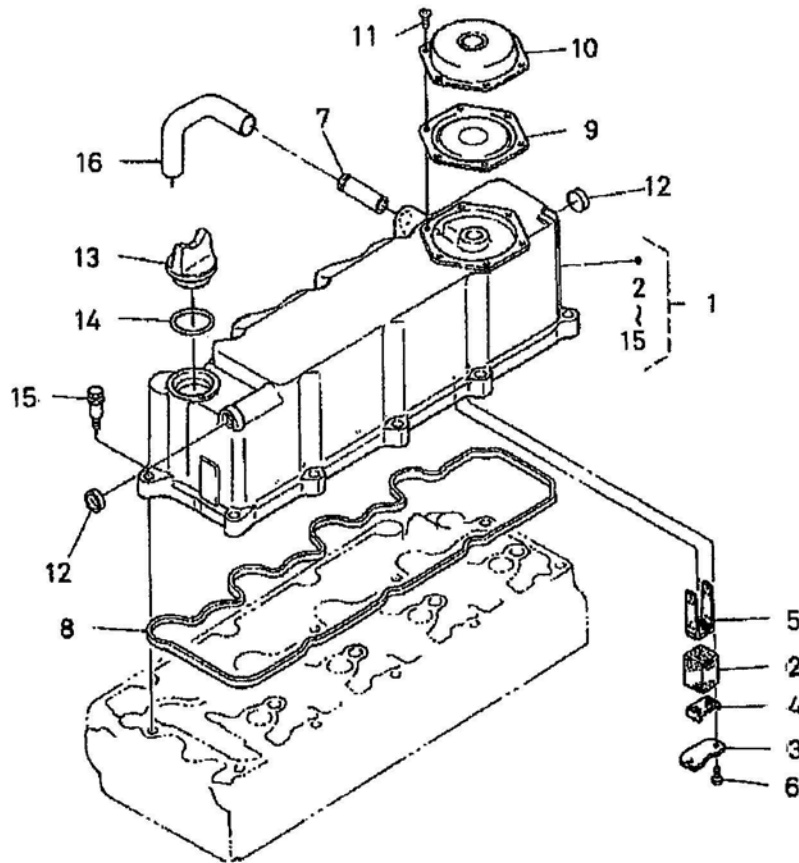
DIGITAL DIESEL - 33.0 EDE - 26.0 EDE - VALVES AND ROCKERS



DIGITAL DIESEL - 33.0 EDE - 26.0 EDE - VALVES AND ROCKERS

Reference #	Part #	Part Name	Remarks	Quantity
1	200753	GUIDE	VALVE INTAKE	8
2	054124	GUIDE	VALVE EXHAUST	4
3	053162	VALVE	INTAKE	8
4	053163	VALVE	EXHAUST	4
5	053165	SPRING	INTAKE VALVE	8
6	298711	SPRING	EXHAUST VALVE	4
7	299442	RETAINER	INTAKE SPRING (CAP,VALVE SPRING)	8
8	298712	RETAINER	EXHAUST SPRING	4
9	299440	COLLET	VALVE KEEPER	8
10	298713	COLLET	VALVE KEEPER	4
11	200647	SEAL	INTAKE VALVE STEM	8
12	053164	SEAL	EXHAUST VALVE STEM	4
13	053166	SHAFT	VALVE	4
14	053169	SHAFT	ROCKER	1
15	053106	SETSCREW	ROCKER SHAFT PLUG	2
16	053172	BRACKET	ROCKER SHAFT	4
17	200638	PIN	SPRING	1
18	053173	WASHER	ROCKER SHAFT	2
19	053108	RING	RETAINING EXTERNAL	2
20	053288	SPRING	ROCKER SHAFT	3
21	053168	ROCKER	ASSY	4
22	301707	SCREW	ROCKER ADJUST	8
23	301708	NUT	ROCKER ADJUST	8
24	053170	ROCKER	ASSY	4
25	053167	PAD	VALVE	4
26	298715	CAP	VALVE STEM	4
27		BOLT	FLANGE	4
28	053287	ROCKER	SPANNER ASSY	4
29	053171	SCREW	SPANNER ADJUST	4
30	200758	NUT	ROCKER ADJUST	4

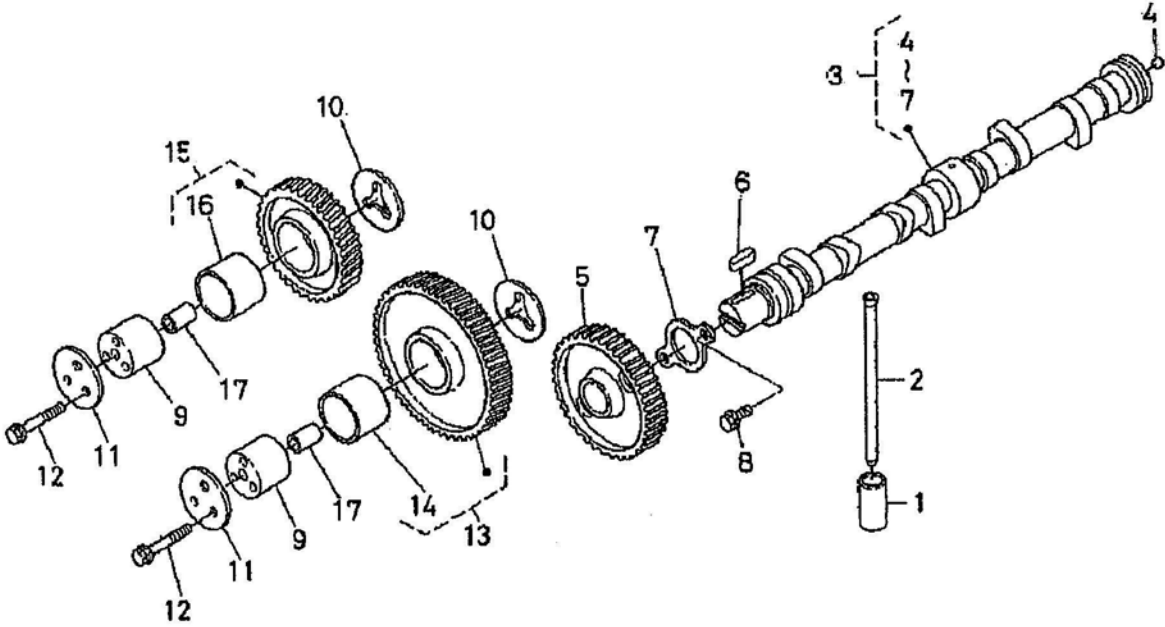
DIGITAL DIESEL - 33.0 EDE - 26.0 EDE - HEAD COVER



DIGITAL DIESEL - 33.0 EDE - 26.0 EDE - HEAD COVER

Reference #	Part #	Part Name	Remarks	Quantity
1	053174	COVER	ROCKER INC. GASKET	1
2	053158	ELEMENT	BREATHER	3
3	053156	SHIELD	BREATHER	3
4	NA	PLATE	BREATHER LOWER	3
5	NA	PLATE	BREATHER UPPER	3
6	NA	SCREW	PAN HEAD	6
7	200747	CONNECTOR	BREATHER HOSE	1
8	053175	GASKET	ROCKER COVER	1
9	053155	VALVE	BREATHER	1
10	053152	COVER	BREATHER	1
11	NA	SCREW	PAN HEAD	6
12	053125	PLUG	EXPANSION	2
13	053205	CAP	OIL FILL WITH O-RING	1
14	053120	O-RING	OIL FILL CAP	1
15	053268	BOLT	ROCKER COVER	10
16	053157	HOSE	BREATHER	1

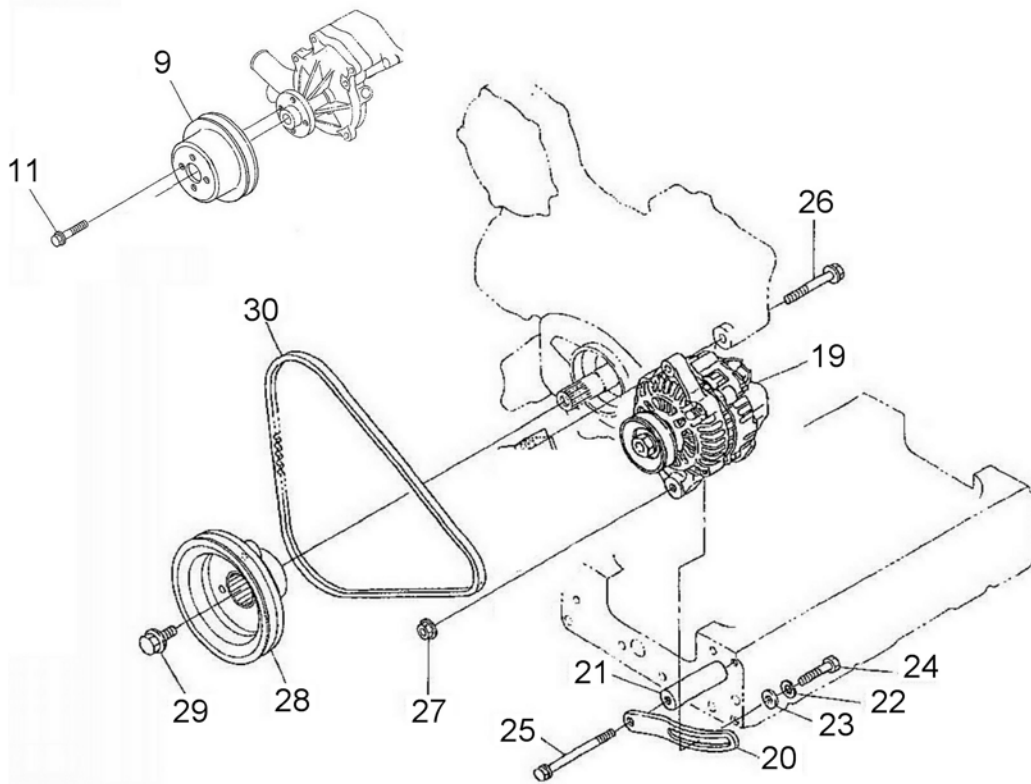
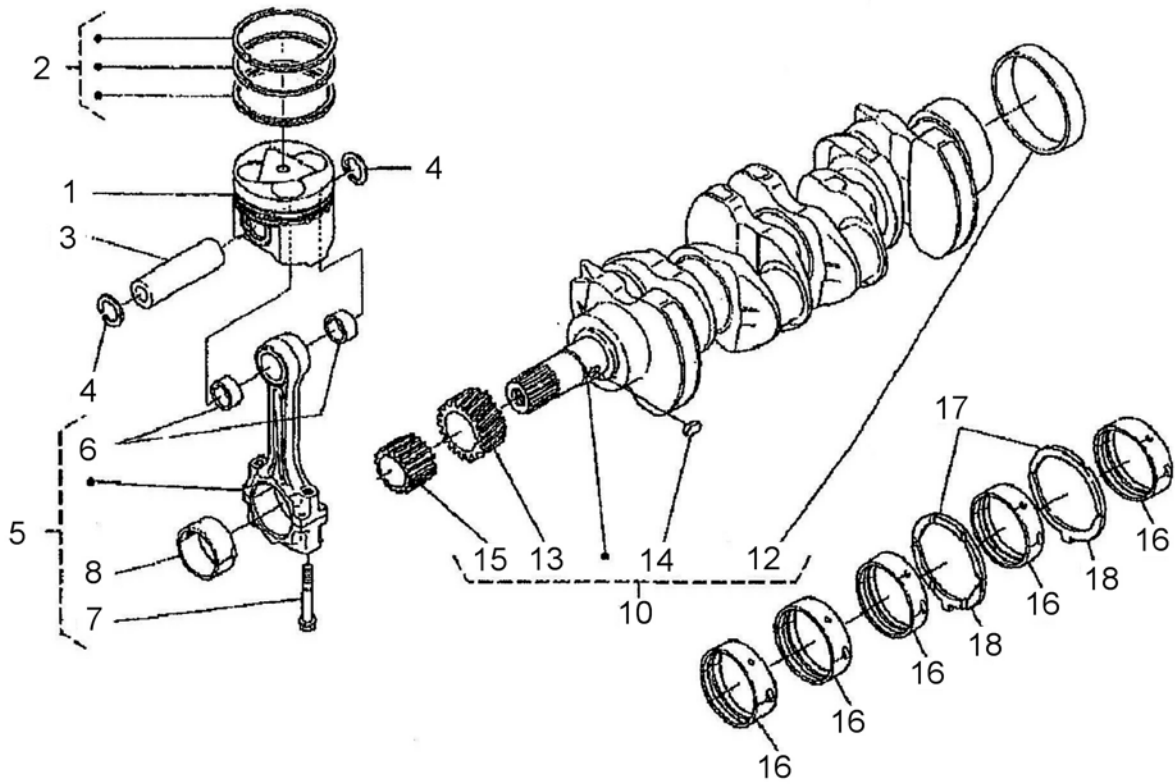
DIGITAL DIESEL - 33.0 EDE - 26.0 EDE - CAMSHAFT, IDLE GEAR SHAFT



DIGITAL DIESEL - 33.0 EDE - 26.0 EDE - CAMSHAFT AND IDLE GEAR SHAFT

Reference #	Part #	Part Name	Remarks	Quantity
1	298741	TAPPET		8
2	053176	PUSHROD		8
3	053177	CAMSHAFT		1
4	053127	BALL	CAMSHAFT	1
5	053182	GEAR	CAMSHAFT	1
6	299531	KEY	FEATHER	1
7	053181	PLATE	CAMSHAFT RETAINING	1
8	048463	CAPSCREW	M 8x14	2
9	053196	SHAFT	IDLER GEAR	2
10	053197	PLATE	IDLER GEAR	2
11	053198	PLATE	IDLER GEAR	2
12	033648	CAPSCREW	M 8x55	6
13	053193	GEAR	IDLER WITH BUSHING	1
14	053200	BUSHING	IDLER GEAR	1
15	053194	GEAR	IDLER WITH BUSHING	1
16	053200	BUSHING	IDLER GEAR	1
17	053199	PIN	IDLER GEAR	2

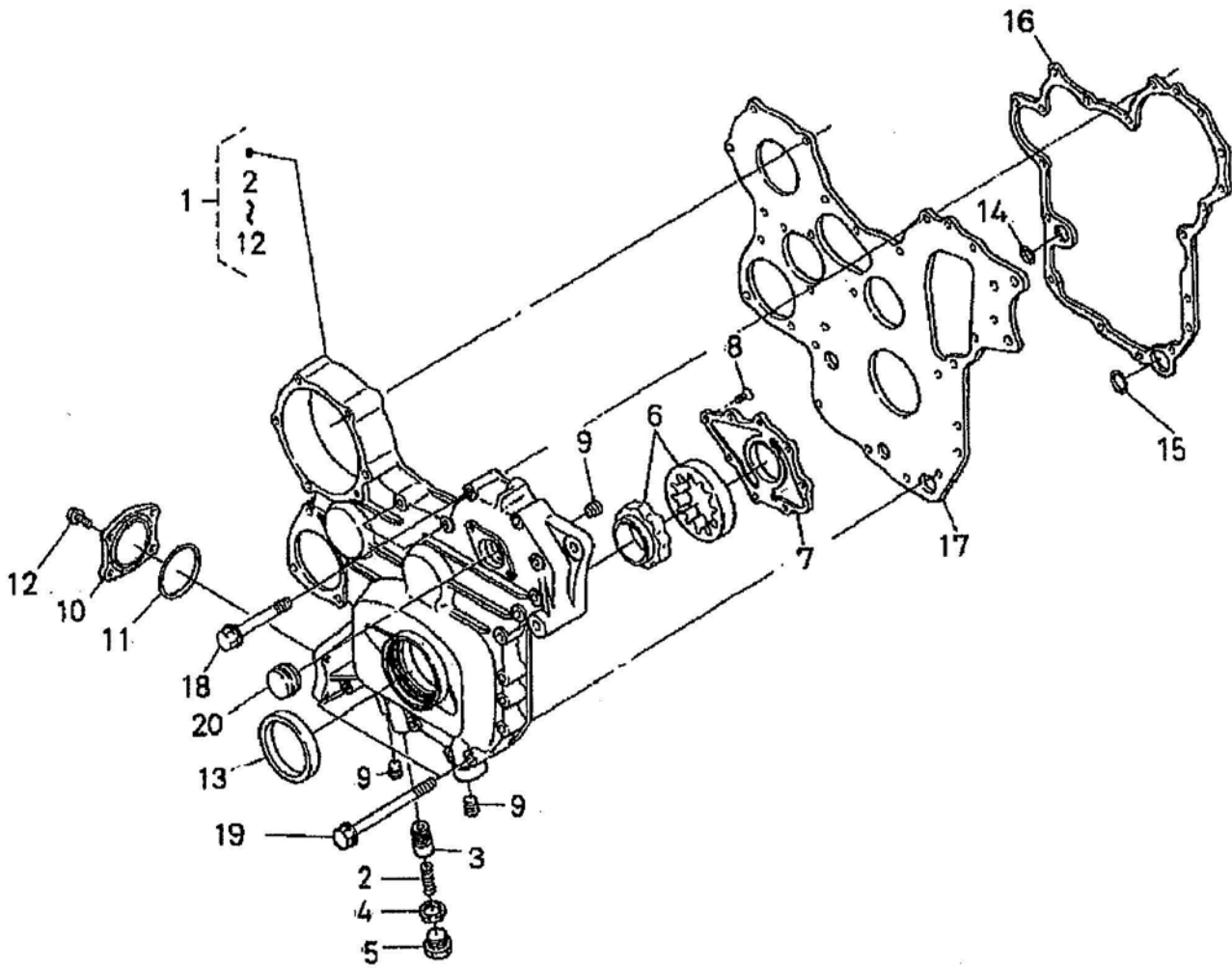
DIGITAL DIESEL - 33.0 EDE - 26.0 EDE - PISTON AND CRANKSHAFT



DIGITAL DIESEL - 33.0 EDE - 26.0 EDE - PISTON AND CRANKSHAFT

Reference #	Part #	Part Name	Remarks	Quantity
1-1	053278	PISTON	STD	4
1-2	053279	PISTON	0.5	4
2-1	053276	RING	SET STD	4
2-2	053277	RING	SET 0.50	4
3	053183	PIN	PISTON	4
4	053107	RING	RETAINING PISTON PIN	8
5	053290	ROD	CONNECTING	4
6	053184	BUSHING	PISTON PIN	8
7	053185	BOLT	CONNECTING ROD	8
8-1	053291	BEARING SET	ROD STD BLUE	4
8-2	053292	BEARING SET	ROD STD YELLOW	4
8-3	053293	BEARING SET	ROD 0.2MM GREEN	4
8-4	053294	BEARING SET	ROD 0.4MM RED	4
9	053266	PULLEY	FRESH PUMP	1
10	053295	CRANKSHAFT		1
11	048463	CAPSCREW	M 8x14	4
12	053186	BUSHING	CRANKSHAFT	1
13	053195	GEAR	CRANKSHAFT	1
14	299549	KEY	FEATHER	1
15	053211	GEAR	OIL PUMP DRIVE	1
16-1	053296	BEARING	MAIN STD	5
16-2	053297	BEARING	MAIN 0.2MM	5
16-3	053298	BEARING	MAIN 0.4MM	5
17-1	053187	THRUSTWASHER	UPPER STD	2
17-2	053189	THRUSTWASHER	UPPER 0.2	2
17-3	053190	THRUSTWASHER	UPPER 0.4	2
18-1	053188	THRUSTWASHER	LOWER STD	2
18-2	053191	THRUSTWASHER	LOWER 0.2	2
18-3	053192	THRUSTWASHER	LOWER 0.4	2
19		ALTERNATOR	SEE PAGES 142 and 143	1
20	053313	STRAP	ALTERATOR ADJUST	1
21	053314	SPACER	ALTERNATOR	1
22	031786	LOCKWASHER	M 8 SPLIT	1
23	033381	WASHER	FLAT	1
24	013630	BOLT	M 8x25	1
25	033650	CAPSCREW	M 8x95	1
26	053320	BOLT	ALTERNATOR MOUNT	1
27	033668	NUT	FLANGE	1
28	053319	PULLEY	CRANKSHAFT	1
29	053267	BOLT	CRANKSHAFT PULLEY	1
30	053308	BELT	COG	1

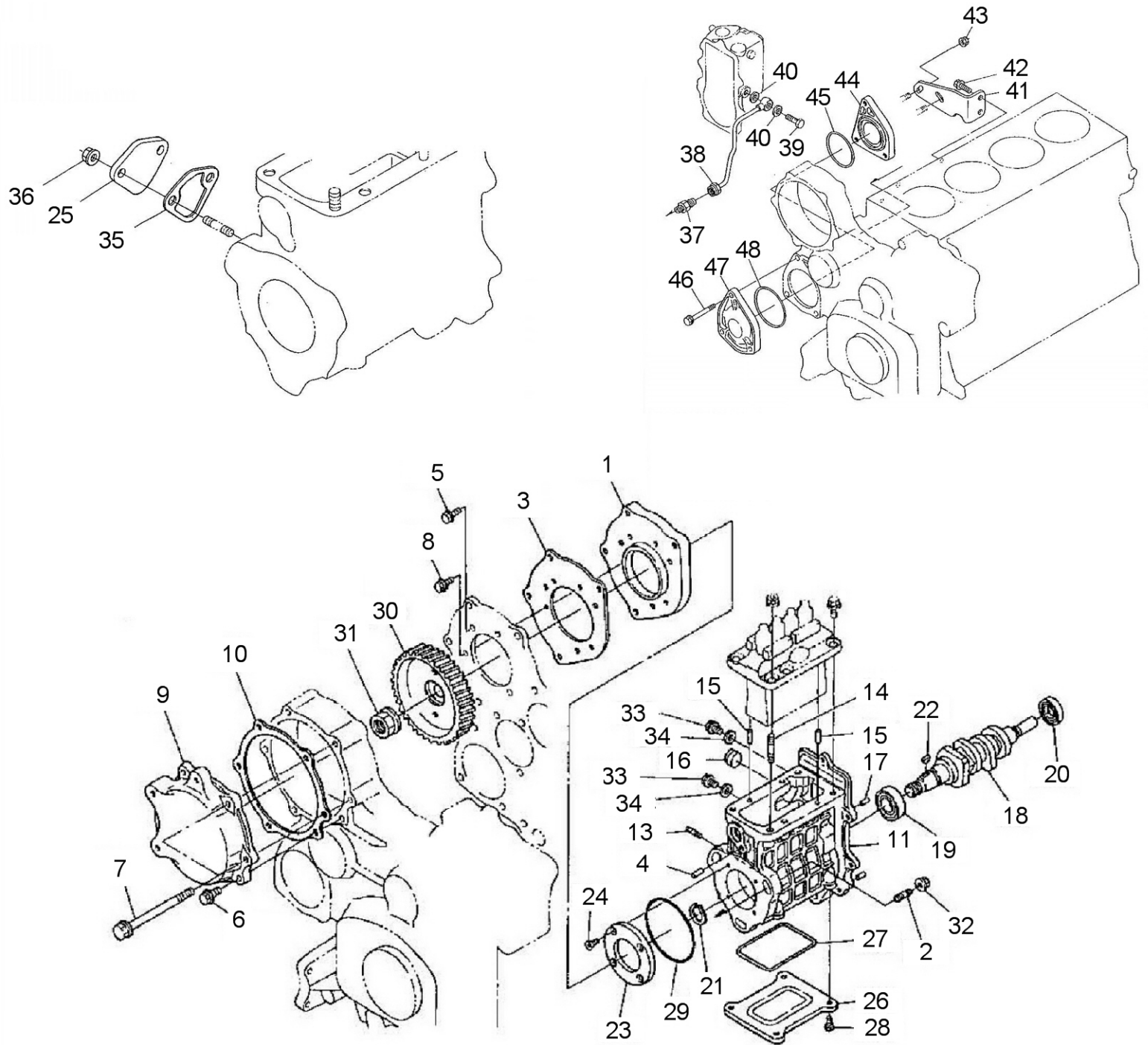
DIGITAL DIESEL - 33.0 EDE - 26.0 EDE - GEAR CASE



DIGITAL DIESEL - 33.0 EDE - 26.0 EDE - GEAR CASE

Reference #	Part #	Part Name	Remarks	Quantity
1	053147	CASE	TIMING ASSY	1
2	053215	SPRING	OIL RELIEF VALVE	1
3	053214	VALVE	OIL RELIEF	1
4	300612	GASKET		1
5	053216	PLUG	OIL RELIEF VALVE	1
6	053209	ROTOR	OIL PUMP	1
7	053210	COVER	OIL PUMP	1
8	045769	SCREW	M 6x16	8
9	053273	PLUG		3
10	053204	COVER	OIL PUMP	1
11	301763	O-RING	ADAPTER	1
12	045391	CAPSCREW	M 8x20	4
13	053286	SEAL	OIL	1
14	053114	O-RING		1
15	053116	O-RING		1
16	053148	GASKET	GEARCASE	1
17	053149	PLATE	TIMING CASE	1
18	033648	CAPSCREW	M 8x55	13
19	042106	CAPSCREW	M 8x75	2
20	200865	COVER	GEARCASE	1

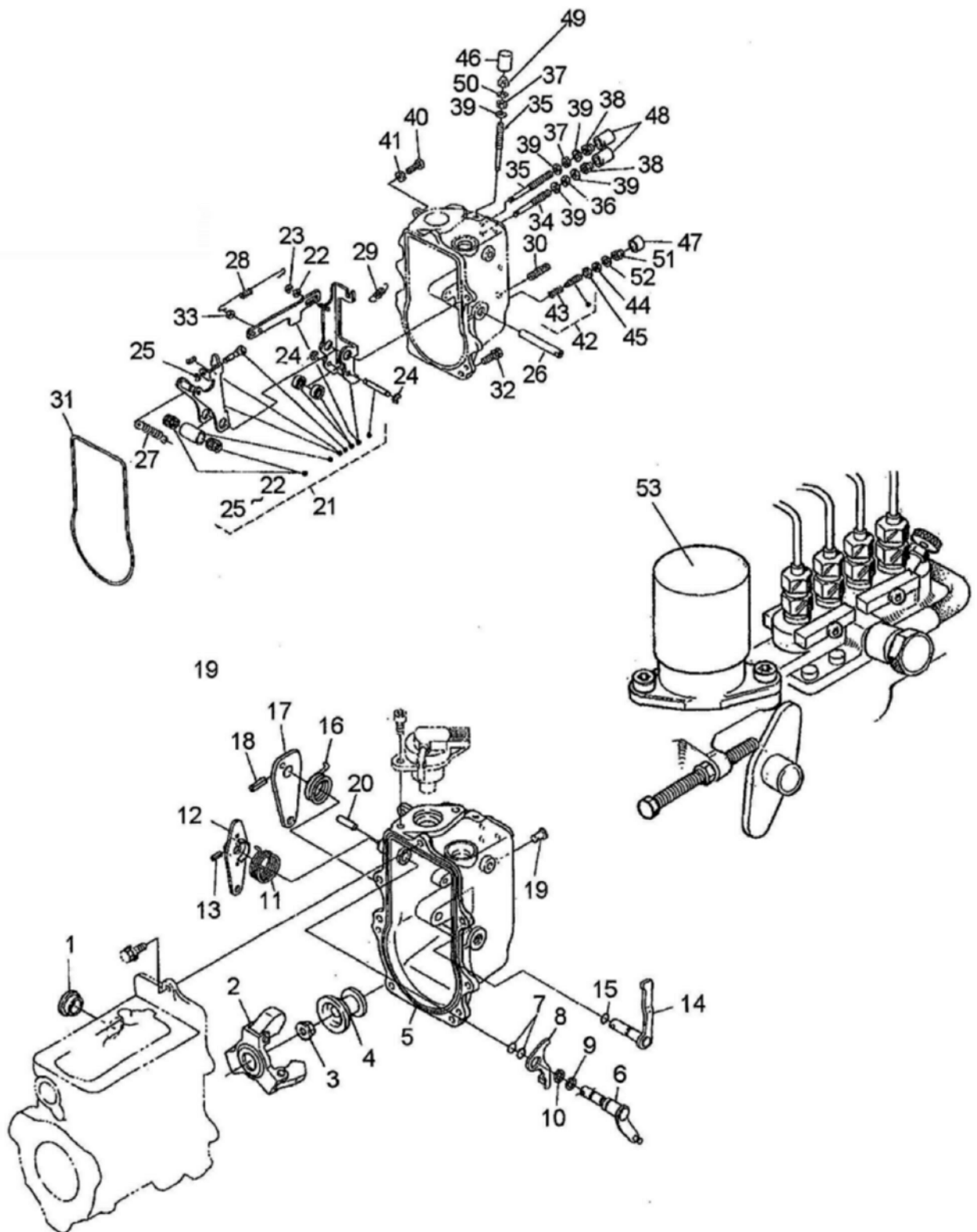
DIGITAL DIESEL - 33.0 EDE - 26.0 EDE - INJECTION PUMP HOUSING



DIGITAL DIESEL - 33.0 EDE - 26.0 EDE - INJECTION PUMP HOUSING

Reference #	Part #	Part Name	Remarks	Quantity
1	053228	FLANGE	INJECTION PUMP MOUNT	1
2	015830	STUD	M 8x25	3
3	053229	GASKET	INJECTION PUMP FLANGE	1
4	041417	DOWEL	6MM x 14MM	1
5		BOLT	FLANGE	3
6		BOLT	FLANGE	1
7		BOLT	FLANGE	5
8		BOLT	FLANGE	3
9	053232	BRACKET	INJECTION PUMP GEAR	1
10	053233	GASKET	INJ PMP DRIVE GEAR COVR	1
11	053310	HOUSING	INC. CAM REF. 13 THROUGH 28	1
12	053225	HOUSING	WITHOUT CAM INC. REF, 13 THROUGH 17	1
13	301507	STUD	M 6x16	2
14		STUD		3
15	299359	DOWEL	6MM x 9MM	2
16	053245	PLUG	INJECTION PUMP HOUSING	1
17	045389	DOWEL	5MM x 12MM	2
18	053178	CAMSHAFT	FUEL	1
19	053309	BEARING	BALL FUEL CAMSHAFT	1
20	053128	BEARING	BALL	1
21	299537	CIRCLIP	EXTERNAL	1
22	053132	KEY	WOODRUFF	1
23	053289	STOPPER	FUEL CAM	1
24		SCREW		4
25	302744	COVER	FUEL PUMP	1
26	053179	COVER	FUEL CAMSHAFT	1
27	053180	GASKET	FUEL CAMSHAFT COVER	1
28		BOLT		4
29	053235	GASKET	INJECTION PUMP HOUSING	1
30	053227	GEAR	INJECTION PUMP DRIVE	1
31		NUT		1
32	033668	NUT	M 8 JIS-FLANGE	3
33	048463	CAPSCREW	M 8x14	2
34	298659	GASKET		2
35	200861	GASKET	INJECTION PUMP	1
36	036211	NUT	M 6 FLANGE	2
37	053138	CONNECTOR	OIL LINE	1
38	053206	LINE	OIL	1
39	053143	BOLT	BANJO OIL LINE	1
40	053136	WASHER	BANJO	2
41	053231	BRACKET	INJECTION PUMP SUPPORT	1
42		BOLT	FLANGE	2
43		NUT	FLANGE	2
44		COVER	PUMP DRIVE	1
45	053275	O-RING		2
46		BOLT	FLANGE	3
47		COVER	PUMP DRIVE	1
48		O-RING		1

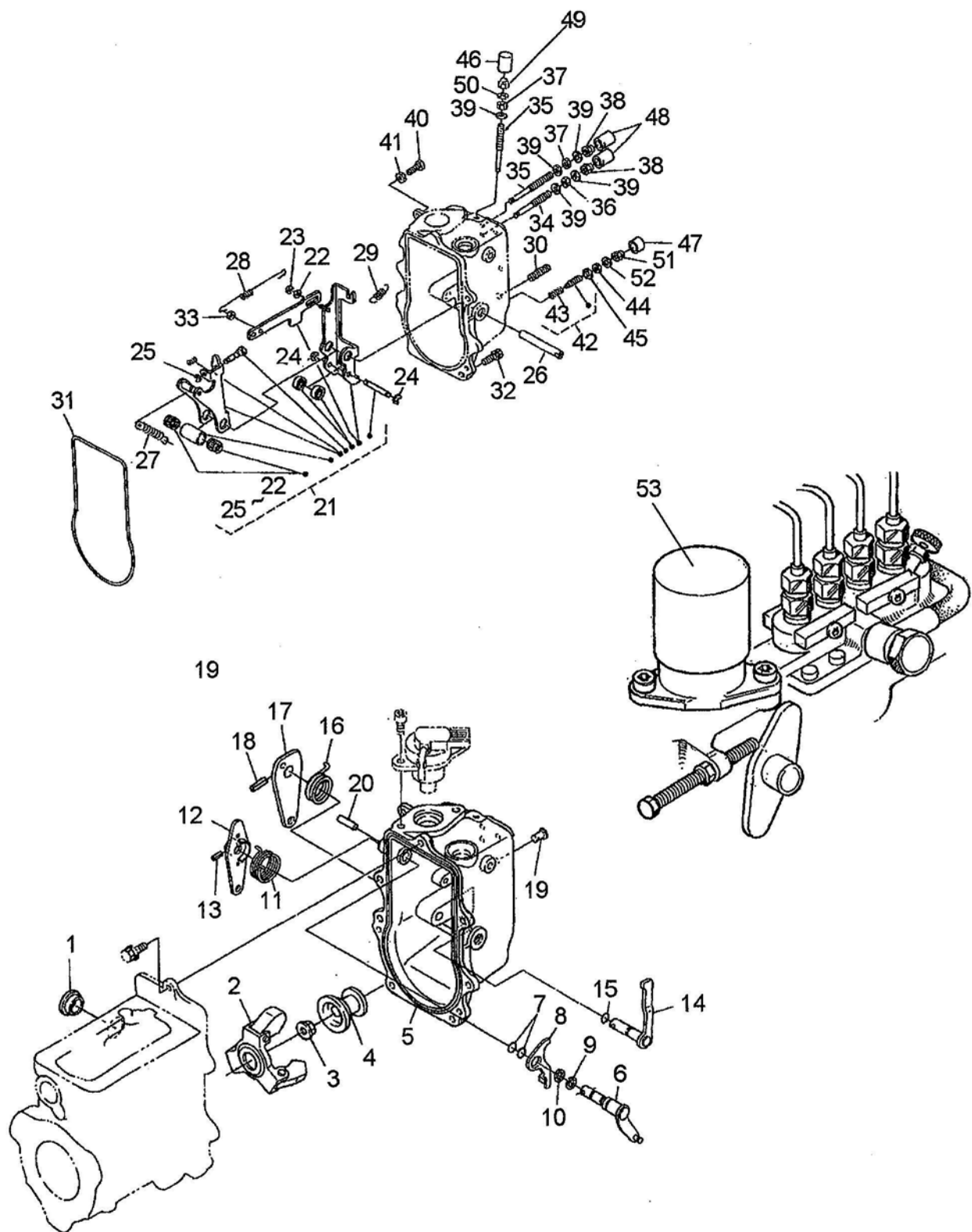
DIGITAL DIESEL - 33.0 EDE - 26.0 EDE - GOVERNOR SYSTEM



DIGITAL DIESEL - 33.0 EDE - 26.0 EDE - GOVERNOR SYSTEM

Reference #	Part #	Part Name	Remarks	Quantity
1	053252	COVER	GOVERNOR	1
2	053300	WEIGHT		1
3		NUT	FLANGE	1
4	053301	SLEEVE	GOVERNOR	1
5	053280	HOUSING	GOVERNOR	1
6	053247	LEVER	GOVERNOR	1
7	053118	O-RING		2
8	053258	LEVER	STOP	1
9	053112	RING	RETAINING EXTERNAL	1
10	298720	WASHER	ROCKER SHAFT	1
11	053253	SPRING	THROTTLE	1
12	053321	LEVER	THROTTLE	1
13	053123	PIN	SPRING	1
14	053255	LEVER	STOP	1
15	053118	O-RING		1
16	200672	SPRING	RETURN	1
17	053254	LEVER	STOP	1
18	053123	PIN	SPRING	1
19	301489	PIN	START SPRING	1
20	053271	PIN	START SPRING	1
21	053248	LEVER ASSY	FORK	1
22		WASHER	PLAIN	1
23	053111	RING	RETAINING EXTERNAL	1
24	053109	RING	RETAINING EXTERNAL	2
25	053110	RING	RETAINING EXTERNAL	1
26	053249	SHAFT	FORK LEVER	1
27	053250	SPRING	GOVERNOR	1
28	053251	SPRING	START	1
29	053256	SPRING	STOP LEVER	1
30		STUD		2
31	053246	GASKET	GOVERNOR HOUSING	1
32	048462	CAPSCREW	M 6x18	7
33	053270	NUT	LOCK GOVERNOR	1
34	053244	BOLT	ADJUSTING	1
35	053243	BOLT	ADJUSTING	2
36	301581	NUT		1
37	200649	NUT	LOCKING	2
38	302746	NUT	CAP	2
39	301241	GASKET		5
40	298826	BOLT	STOP LEVER	1
41		NUT		1
42	053242	BOLT ASSEMBLY	ADJUSTING	1
43		SPRING		1
44	301493	NUT	ADJUSTING SCREW	1
45	298659	GASKET		1

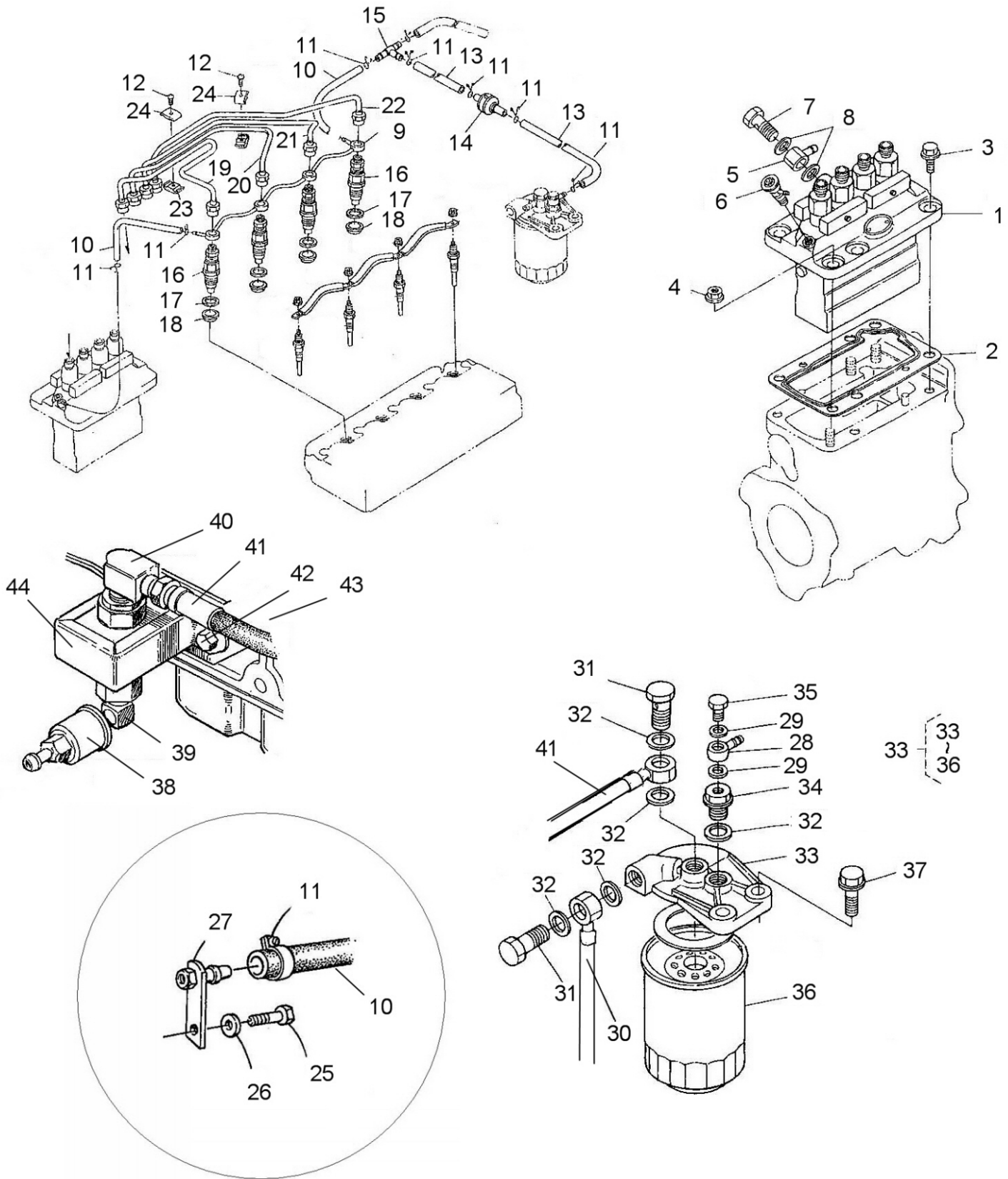
DIGITAL DIESEL - 33.0 EDE - 26.0 EDE - GOVERNOR SYSTEM



DIGITAL DIESEL - 33.0 EDE - 26.0 EDE - GOVERNOR SYSTEM

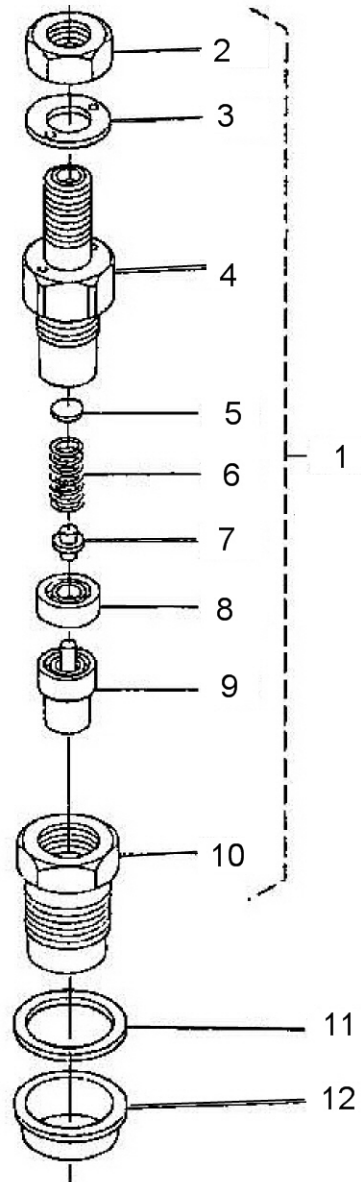
Reference #	Part #	Part Name	Remarks	Quantity
46	200721	CAP	IDLE ADJUST SCREW	1
47	301416	NUT	CAP	1
48		PIPE	LOCK	2
49	302746	NUT	CAP	1
50	301241	GASKET		1
51	301578	NUT	CAP	1
52	298659	GASKET		1
53-1	052936	ACTUATOR	12VDC	1
53-2	053496	ACTUATOR	24VDC	1

DIGITAL DIESEL - 33.0 EDE - 26.0 EDE - FUEL SYSTEM



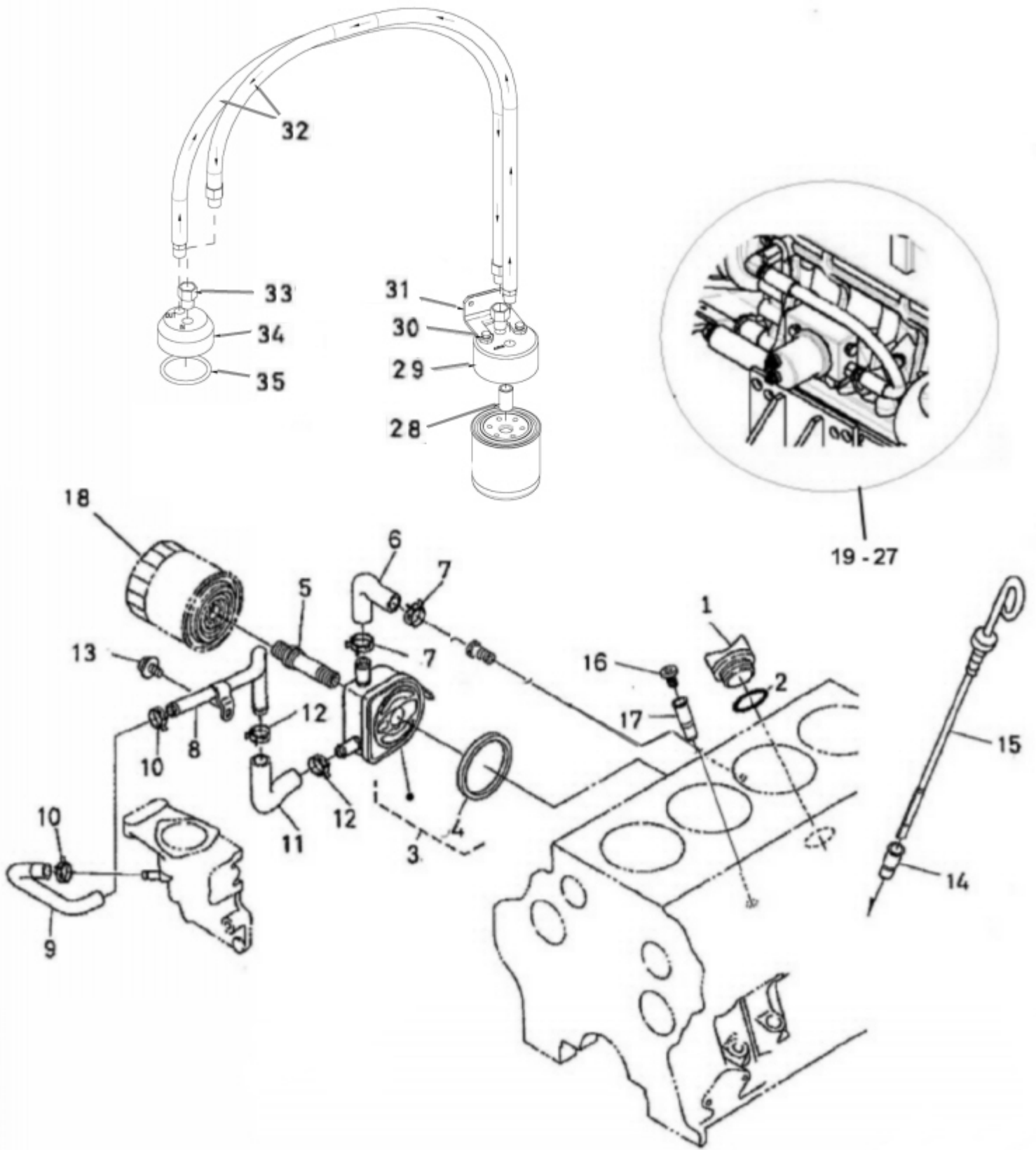
DIGITAL DIESEL - 33.0 EDE - 26.0 EDE - FUEL SYSTEM

Reference #	Part #	Part Name	Remarks	Quantity
1	053226	PUMP	FUEL INJECTION	1
2	053234	SHIM	INJECTION PUMP	1
3	033642	CAPSCREW	M 8x25	3
4	033668	NUT	M 8 FLANGE	3
5	301747	BANJO	INJECTION PUMP	1
6	300050	VALVE	BLEED ASSEMBLY	1
7	053230	BOLT	BANJO	1
8	200665	GASKET	INJECTOR	2
9	053223	LINE	INJECTOR LEAK-OFF	1
10	053130	HOSE	INJECTION PUMP RETURN	2
11	040384	CLAMP	HOSE MINI	6
12	298794	SCREW	M 5x20	3
13	053129	HOSE	FILTER TO CHECK VALVE	2
14	053222	VALVE	CHECK-FUEL FILTER	1
15	053302	TEE	FUEL LEAK-OFF	1
16	053236	INJECTOR	ASSEMBLY	4
17	301303	GASKET	INJECTOR	4
18	200617	SHIELD	HEAT INJECTOR	4
19	053238	LINE	INJECTOR # 1	1
20	053239	LINE	INJECTOR # 2	1
21	053240	LINE	INJECTOR # 3	1
22	053241	LINE	INJECTOR # 4	1
23	301306	CLAMP	FUEL LINE	3
24	301307	CLAMP	FUEL LINE	3
25	020650	CAPSCREW	M 8x18	1
26	031786	WASHER	M 8 SPLIT LOCK	1
27	299830	CONNECTOR	ASSY,FUEL RETURN	1
28	053133	BANJO	FUEL FILTER	1
29	298659	GASKET		2
30	052918	HOSE	LIFT PUMP TO FILTER	1
31	053139	BOLT	BANJO	2
32	030291	WASHER	BANJO M14	4
33	053224	FILTER	FUEL ASSEMBLY	1
34	053142	CONNECTOR	FUEL FILTER	1
35	053141	BOLT	BANJO	1
36	052985	FILTER	FUEL	1
37	041429	CAPSCREW	M10x1.25x30	2
38	048076	FILTER	FUEL, IN LINE	1
39	013340	ELBOW	1/8NPT	1
40	022513	ELBOW	1/8NPT MALE X 5/16 INV FLR	1
41	043881	HOSE	FILTER TO INJECTION PUMP	1
42-1	015816	CAPSCREW	M 6x10	2
42-2	031783	WASHER	M 6 SPLIT LOCK	2
42-3	031784	WASHER	M 6 FLAT	2
43	052652	BRACKET	LIFT PUMP	1
44-1	052853	PUMP	LIFT 12V DIESEL SEAL CONN	1
44-2	053474	PUMP	LIFT 24V DIESEL SEAL CONN	1



DIGITAL DIESEL - 33.0 EDE - 26.0 EDE - NOZZLE HOLDER

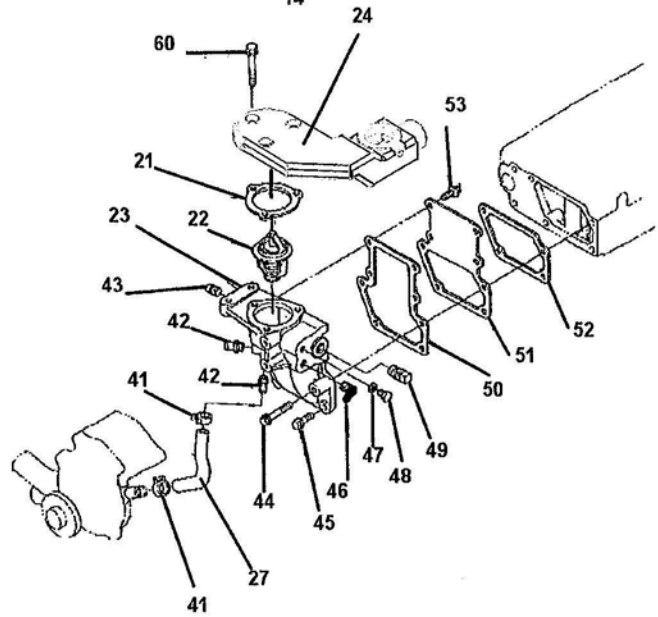
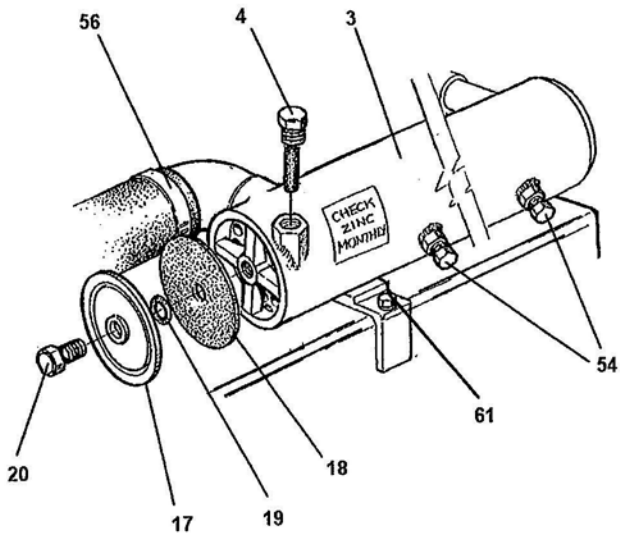
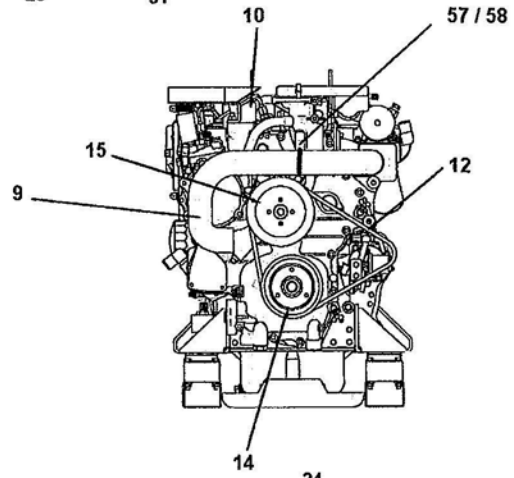
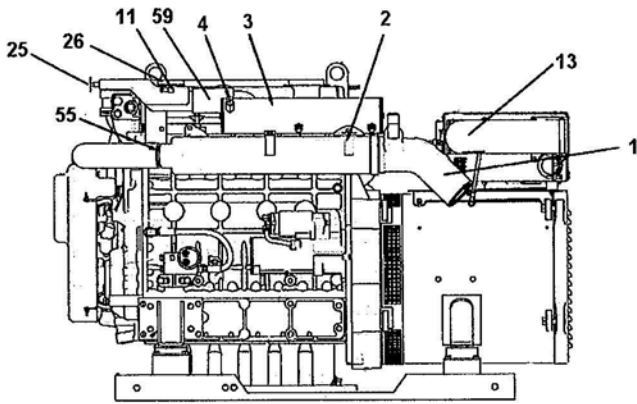
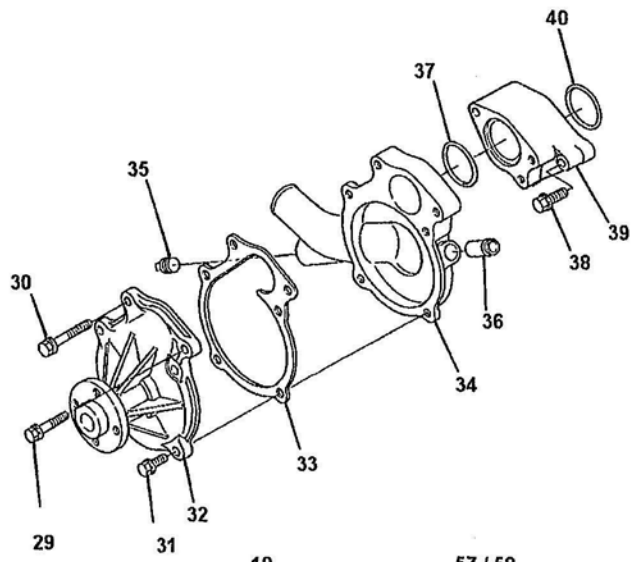
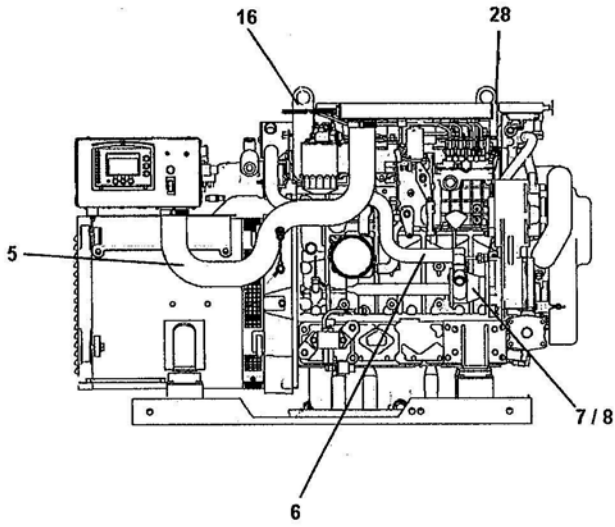
Reference #	Part #	Part Name	Remarks	Quantity
1	053236	INJECTOR	ASSEMBLY	4
2	200567	NUT	INJECTOR LEAK-OFF	4
3	303170	WASHER	INJECTOR LEAK-OFF	4
4		HOLDER	INJECTOR	4
5		SHIM	INJECTOR	AR
6		SPRING	INJECTOR	4
7		PIN	INJECTOR SPRING	4
8		SPACER	INJECTOR	4
9	053237	NOZZLE	INJECTOR	4
10		NUT	INJECTOR NOZZLE	4
11	301303	GASKET	INJECTOR	4
12	200617	SHIELD	HEAT INJECTOR	4



DIGITAL DIESEL - 33.0 EDE - 26.0 EDE - OIL FILTER, OIL COOLER, DIPSTICK & GUIDE

Reference #	Part #	Part Name	Remarks	Quantity
1	053322	CAP	SIDE OIL FILL	1
2	053120	O-RING	OIL FILL CAP	1
3	053217	COOLER	OIL INCL GASKET	1
4	053137	GASKET	OIL COOLER	1
5	053203	BOLT	OIL COOLER	1
6	053219	HOSE	OIL COOLER TO BLOCK	1
7	301083	CLAMP	HOSE	2
8	053220	LINE	OIL COOLER	1
9	053312	HOSE	THERMOSTAT TO OIL COOLER	1
10	301083	CLAMP	HOSE	2
11	053221	HOSE	OIL COOLER TO LINE	1
12	301083	CLAMP	HOSE	2
13	048463	CAPSCREW	M 8x14	1
14	053213	TUBE	DIPSTICK	1
15	053212	DIPSTICK		1
16	054127	PLUG	DIPSTICK HOLE	1
17	053213	TUBE	DIPSTICK	1
18	011951	FILTER	OIL	1
19	011984	ELBOW	1/8" NPT	1
20	024844	ADAPTER	1/8 BSPT TO 1/8 NPT	1
21	043902	HEADER	OIL SENDER/SWITCH	1
22	049197	SENDER	OIL PRESS 100PSI UNGND	1
23	019369	PLUG	1/8 NPT	4
24	011981	HOSE	OIL	1
25	031786	WASHER	M 8 SPLIT LOCK	2
26	031787	WASHER	M 8 FLAT	2
27	013630	CAPSCREW	M 8 x 1.25 x 25MM	2
28	013610	NIPPLE	OIL FILTER	1
29	040629	ADAPTER		1
30-1	031503	CAPSCREW	1/4NCx3/4	2
30-2	031572	LOCKWASHER	1/4 MED SPLIT	2
31	040074	BRACKET	REMOTE OIL FILTER	1
32	011925	HOSE	OIL 40-1/4 LG	2
33	013348	CONNECTOR	MALE	2
34	020983	ADAPTER	REMOTE OIL FILTER	1
35	020455	O-RING		1

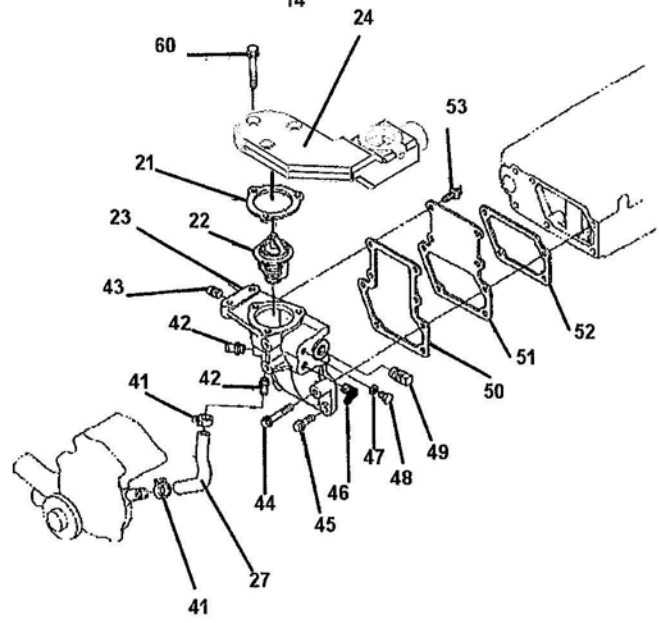
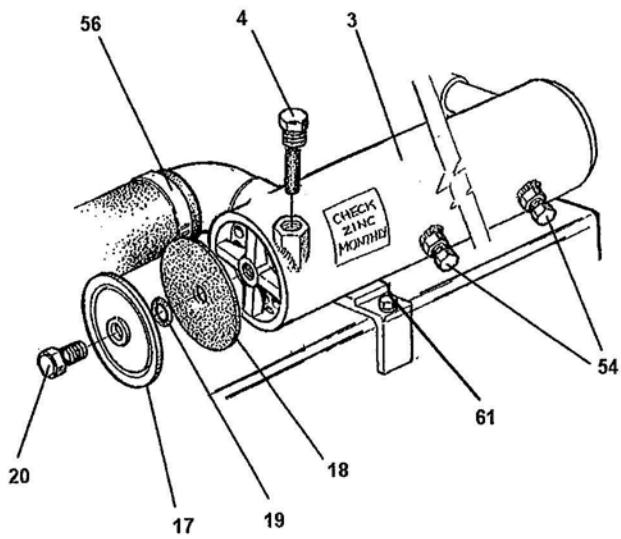
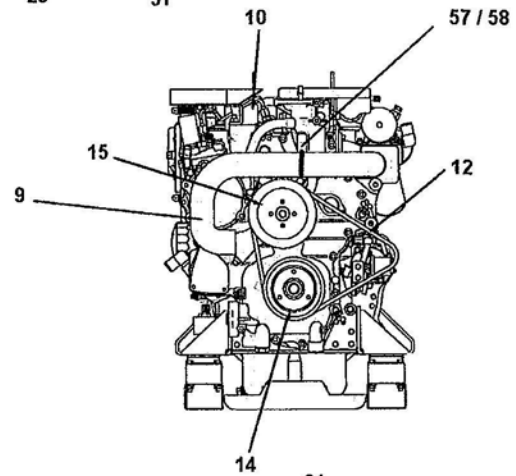
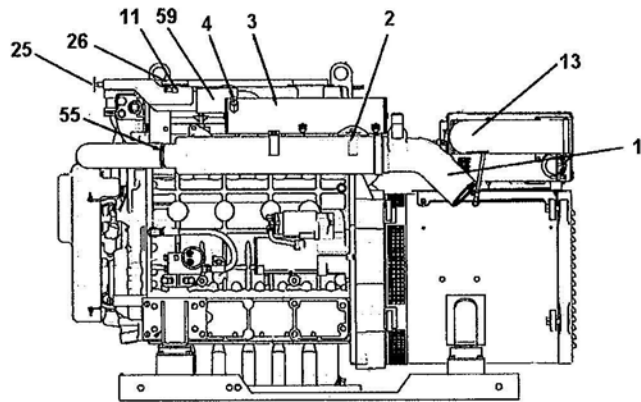
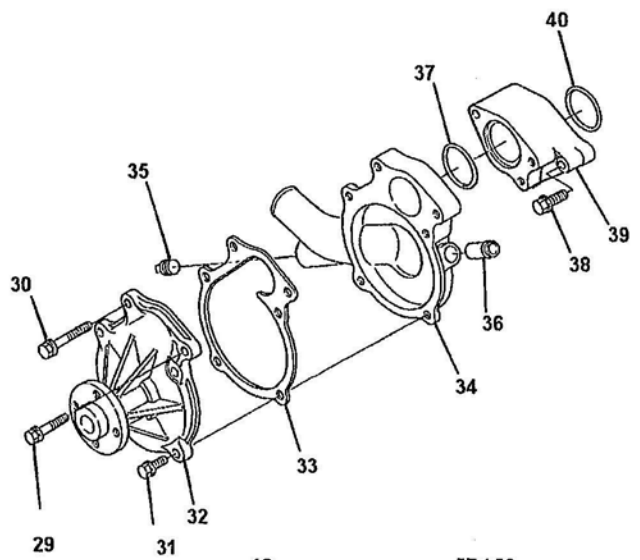
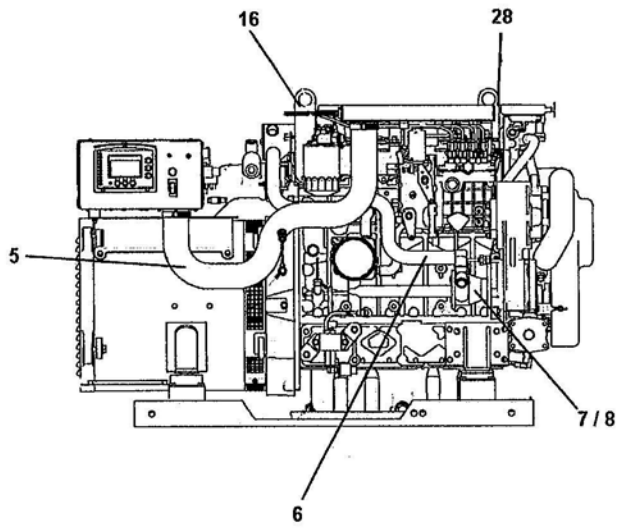
DIGITAL DIESEL - 33.0 EDE - 26.0 EDE - FRESH WATER SYSTEM



DIGITAL DIESEL - 33.0 EDE - 26.0 EDE- FRESH WATER SYSTEM

Reference #	Part #	Part Name	Remarks	Quantity
1-1	049762	WATER INJ ELBOW	KIT (includes references 1-2 through 1-6)	Kit
1-2	038221	GASKET	EXHAUST ELBOW TO MANIF	1
1-3	038153	CLAMP	EXHAUST ELBOW	1
1-4	049003	PLUG	3/4 NPT SOCKET BRASS	1
1-5	036614	ELBOW	3/4NPT x 1 HOSE	1
1-6	042424	PLUG	1/8 NPT HEX HEAD BRASS	1
2-1	053332	MANIFOLD	EXHAUST	1
2-2	053161	GASKET	EXHAUST MANIFOLD 33 EDE	1
3-1	052493	EXCHANGER	HEAT 33.0 EDE	1
3-2	052595	O-RING	EXCHANGER SEALING	1
4	011885	ZINC		1
5	052917	HOSE	PLENUM TO PANEL BOX	1
6	011779	HOSE	1 IN WIRE INSERTED (1 inch increments)	38
7	052650	PUMP	SEA WATER	1
8	036614	ELBOW	3/4NPT x 1 HOSE	2
9	052596	HOSE	EXCHANGER TO FW PUMP	1
10	052934	HOSE	PLENUM TO INTAKE 33.0 EDE	1
11	052653	HOSE	MANIFOLD TO FW PUMP	1
12	053308	BELT	COG	1
13	052935	HOSE	SG FRAME TO PANEL BOX	1
14	053319	PULLEY	CRANKSHAFT 33.0 EDE	1
15	053266	PULLEY	FRESH PUMP 33.0 EDE	1
16	052912	EYE	LIFTING REAR 33.0 EDE	1
17	022850	CAP	EXCHANGER	2
18	022851	GASKET	EXCHANGER END	2
19	019321	O-RING		2
20	022852	CAPSCREW		2
21	052946	GASKET	THERMOSTAT 33.0 EDE	1
22	053282	THERMOSTAT	33.0 EDE	1
23	053305	HOUSING,	THERMOSTAT LOWER (inc. 42, 49, 50, 51, 53)	1
24	052583	HOUSING	THERMOSTAT 33.0 EDE (inc filler neck, 26)	1
25	011471	PETCOCK		1
26	024306	CAP	PRESSURE 15PSI	1
27	053317	HOSE	BYPASS 33.0 EDE	1
28	052911	EYE	LIFTING FRONT 33.0 EDE	1
29	033709	CAPSCREW	M 8x80 JIS-FLANGE	2
30		CAPSCREW		1
31	033643	CAPSCREW	M 8x30	3
32	053315	PUMP	FRESH WATER 33.0 EDE	1
33	053265	GASKET	FRESH WATER PUMP 33 EDE	1
34	053316	HOUSING	FRESH WATER PUMP 33EDE (inc. 36 and 35)	1

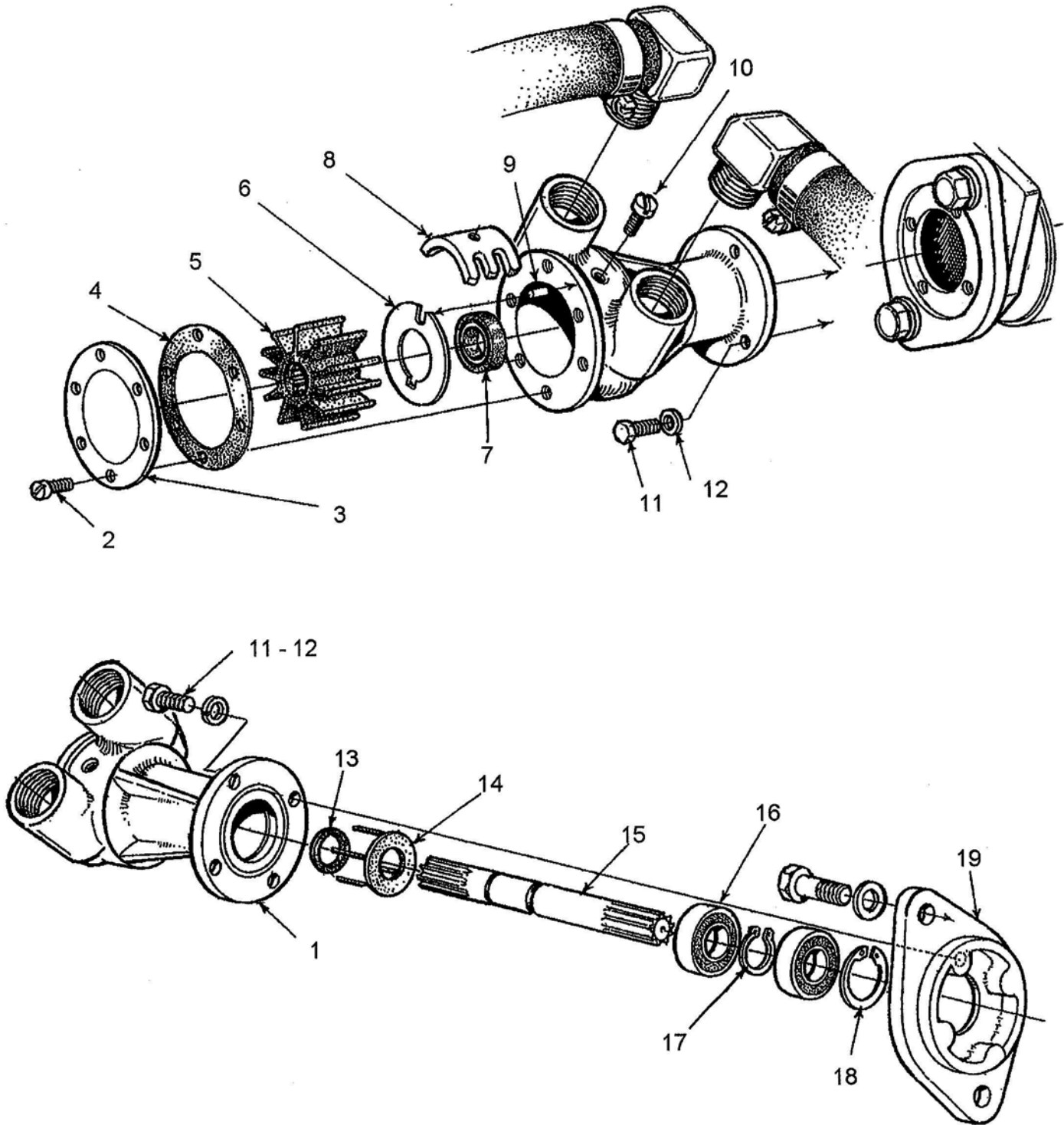
DIGITAL DIESEL - 33.0 EDE - 26.0 EDE - FRESH WATER SYSTEM



DIGITAL DIESEL - 33.0 EDE - 26.0 EDE - FRESH WATER SYSTEM

Reference #	Part #	Part Name	Remarks	Quantity
35	053126	PLUG		1
36	200747	CONNECTOR		1
37	053318	ADAPTER	FRESH WATER PUMP	1
38	033645	CAPSCREW	M 8x40	1
39	053318	ADAPTER	FRESH WATER PUMP	1
40	053117	O-RING		1
41	011341	CLAMP	HOSE	8
42	053218	NIPPLE		1
43	053126	PLUG		1
44	033647	CAPSCREW	M 8x50	1
45	033642	CAPSCREW	M 8x25	3
46	241019	ELBOW	3/8NPT x 1/2 HOSE	1
47	299371	GASKET		1
48	053134	PLUG		1
49	201000	PLUG		1
50	053264	GASKET	THERMOSTAT HSNG COVER	1
51	053262	COVER	THERMOSTAT LOWER HOUSING	1
52	053263	GASKET	LOWER THERMOSTAT HSNG	1
53	033641	CAPSCREW	M 8x16	4
54	019369	PLUG	1/8 NPT HEX HEAD BRASS	2
55	052600	NIPPLE	1.25 NPT x 1.75 HOSE	1
56	038193	CLAMP	HOSE # 28	4
57	039949	CLAMP	CABLE RUBBERIZED	1
58	048194	BRACKET	EXCHANGER / HOSE SUPPORT	1
59	024907	ELBOW	1/8NPT x 5/16 HOSE	1
60	018811	CAPSCREW	M 8x40	3
61	018804	CAPSCREW	M 6x20	4

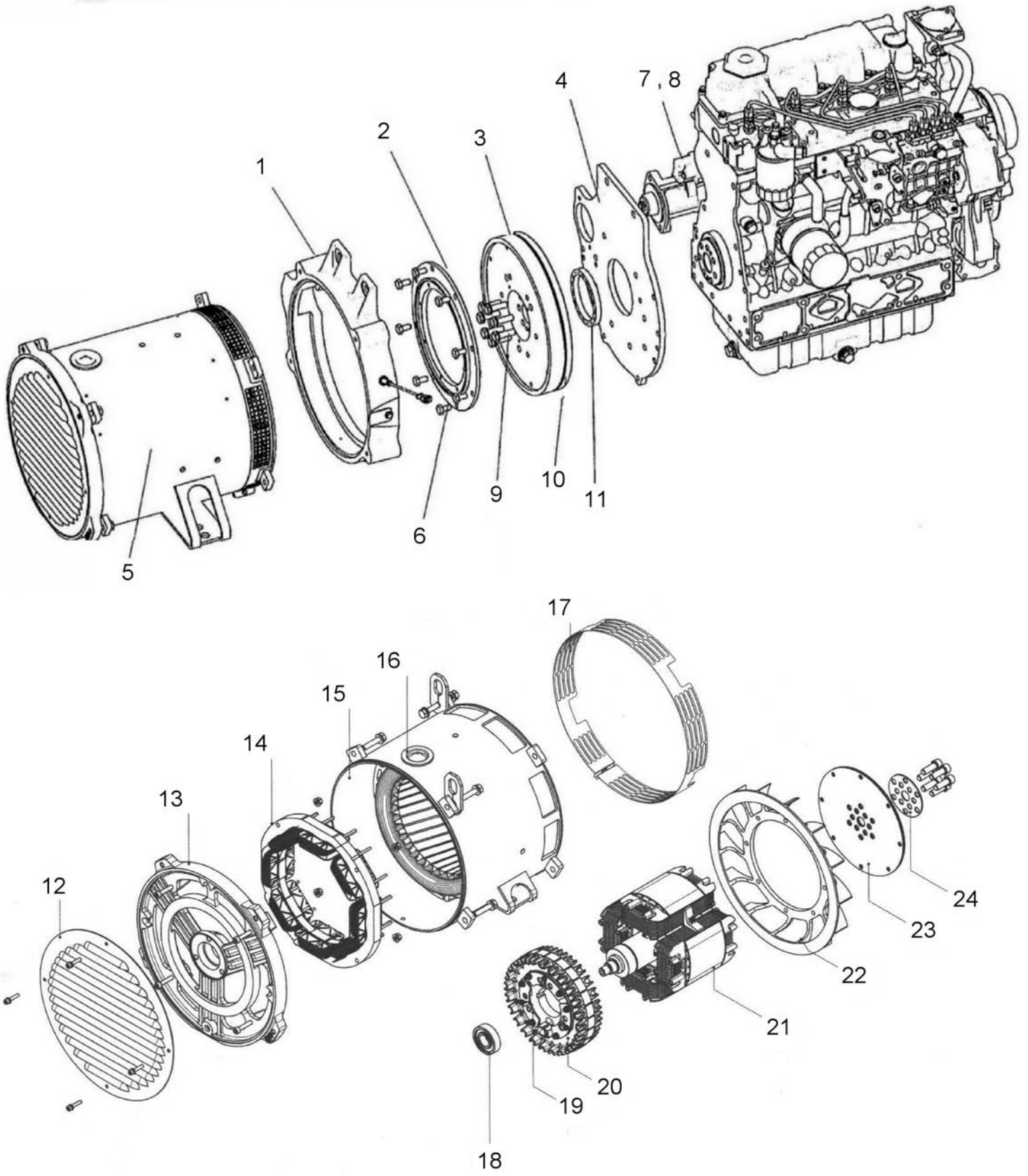
DIGITAL DIESEL - 33.0 EDE - 26.0 EDE - SEA WATER PUMP



DIGITAL DIESEL - 33.0 EDE - 26.0 EDE - SEA WATER PUMP

Reference #	Part #	Part Name	Remarks	Quantity
1	052650	PUMP	SEA WATER COMPLETE (Body only not avail.)	1
2	034463	SCREW	IMPELLER COVER	6
3	049170	COVER	IMPELLER	1
4	302570	GASKET	COVER	1
5	053365	IMPELLER KIT	(Includes Impeller, 2-34463, 1-302570 & 1-Glycerin)	1
6	302574	GASKET	COVER	1
7	053369	SEAL	PUMP	1
8	302573	CAM	PUMP	1
9	302575	DOWEL		1
10	053372	SCREW	CAM	1
11	017012	CAPSCREW	M 6x16	4
12	031783	LOCKWASHER	M 6	4
13	053368	O-RING	SEA PUMP	1
14	053371	SPACER	BEARING	1
15	053373	SHAFT	WATER	1
16	302581	BEARING	BALL	2
17	053366	RING	RETAINING	1
18	053367	RING	RETAINING	1
19	053370	ADAPTER	PUMP	1
	053375	KIT, REPAIR	(Inc. 2 through 18)	KIT
	048250	GREASE	GLYCERINE PACK	1

DIGITAL DIESEL - 33.0 EDE - 26.0 EDE - FLYWHEEL, HOUSING, REAR MAIN SEAL



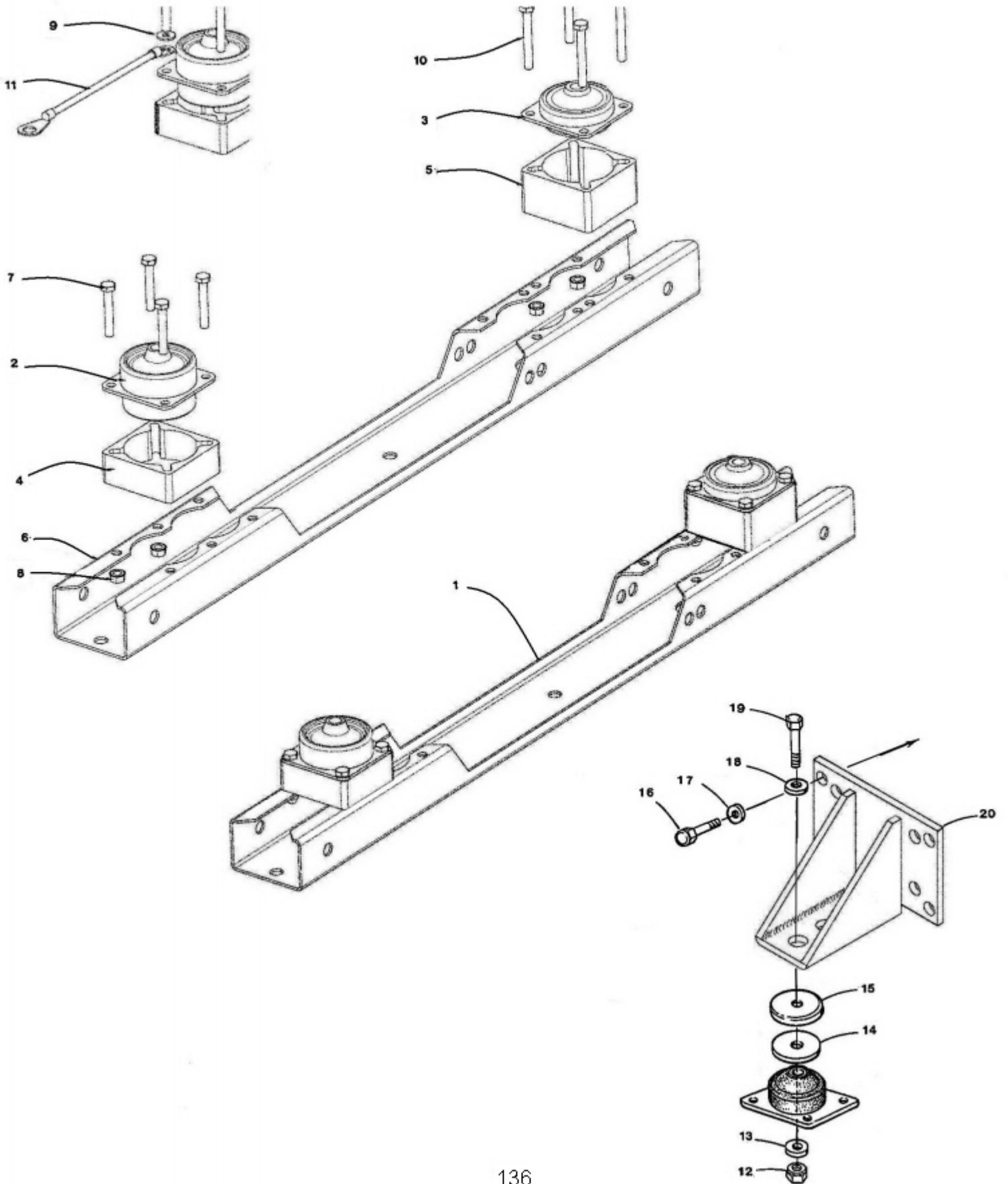
DIGITAL DIESEL - 33.0 EDE - 26.0 EDE - FLYWHEEL, HOUSING, GENERATOR, REAR MAIN SEAL

Reference #	Part #	Part Name	Remarks	Quantity
1	052590	HOUSING	FLYWHEEL	1
2	052648	ADAPTER	GEN TO FLYWHEEL	1
3	053201	FLYWHEEL	ASSEMBLY	1
4-1	053311	PLATE	BACK	1
5	053337	GENERATOR	BE 3 PHASE 220 STACK	1
6	024952	CAPSCREW	M10x1.25x25	8
7-1	053259	MOTOR	STARTER 12VDC	1
7-2	053899	MOTOR	STARTER 24VDC	1
8-1	053260	SOLENOID	STARTER 53259	1
8-2	053297	SOLENOID	STARTER 53899	1
9	053135	BOLT	FLYWHEEL	7
10	054978	GEAR	RING	1
11	053150	SEAL	OIL CRANKSHAFT REAR	1
12	055479	COVER	ALTERNATOR	1
13	055400	HOUSING	REAR	1
14	055397	STATOR	EXCITER	1
15	055396	STATOR	ASSY INCL HSG	1
16	055382	GROMMET		1
17	055477	GUARD	ALTERNATOR AIR	1
18	055478	BEARING	BALL	1
19	052048	DIODE	ASSYEMBLY	3
20	055398	ROTOR	EXCITER	1
21	055393	ARMATURE		1
22	055401	FAN	ALTERNATOR	1
23	054361	PLATE	DRIVE DISC	4
24	055476	PLATE	DRIVE DISC SUPPORT	1

Not shown on illustration

053857	COVER,	TIMING PORT	1
031501	CAPSCREW	1/4NCx1/2 (Timing port cover)	1
031752	LOCKWASHER	1/4 MED (Timing port cover)	1
031753	WASHER	FLAT 1/4 (Timing port cover)	1
040603	CAPSCREW	M14x1.5x45 (Housing to plate)	2
031797	LOCKWASHER	M14 (Housing to plate)	2
031798	WASHER	FLAT M14 (Housing to plate)	2
013629	CAPSCREW	M10x25 (Housing to plate)	7
019262	LOCKWASHER	M10	7
034589	CAPSCREW	M10x30 (Gen to housing)	4
299031	CAPSCREW	M 8x20 (drive disc to flywheel)	8

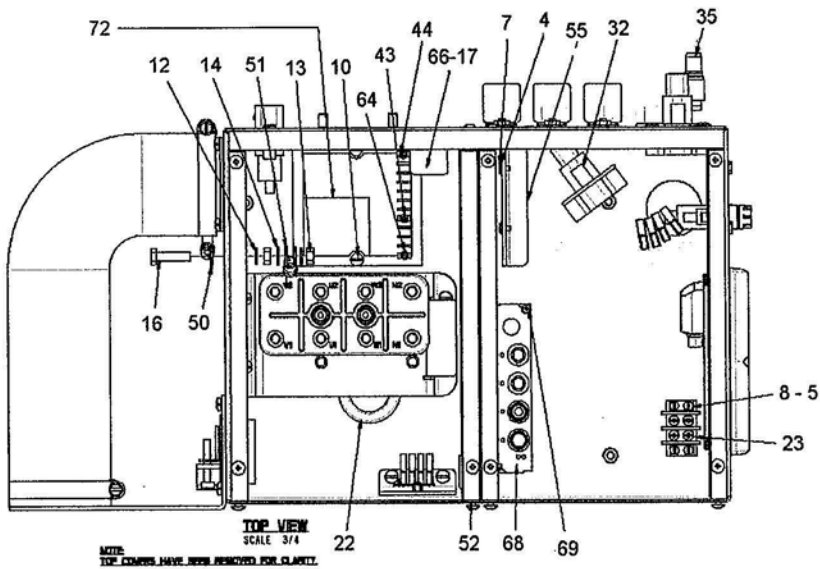
DIGITAL DIESEL - 33.0 EDE - 26.0 EDE MOUNT SYSTEM



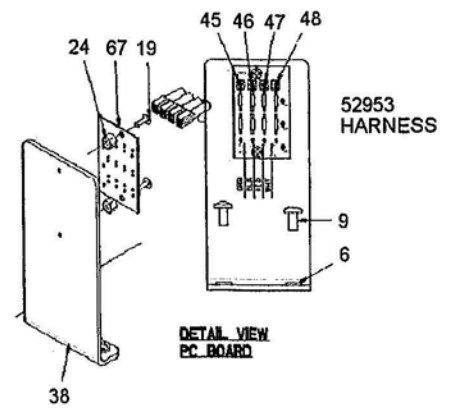
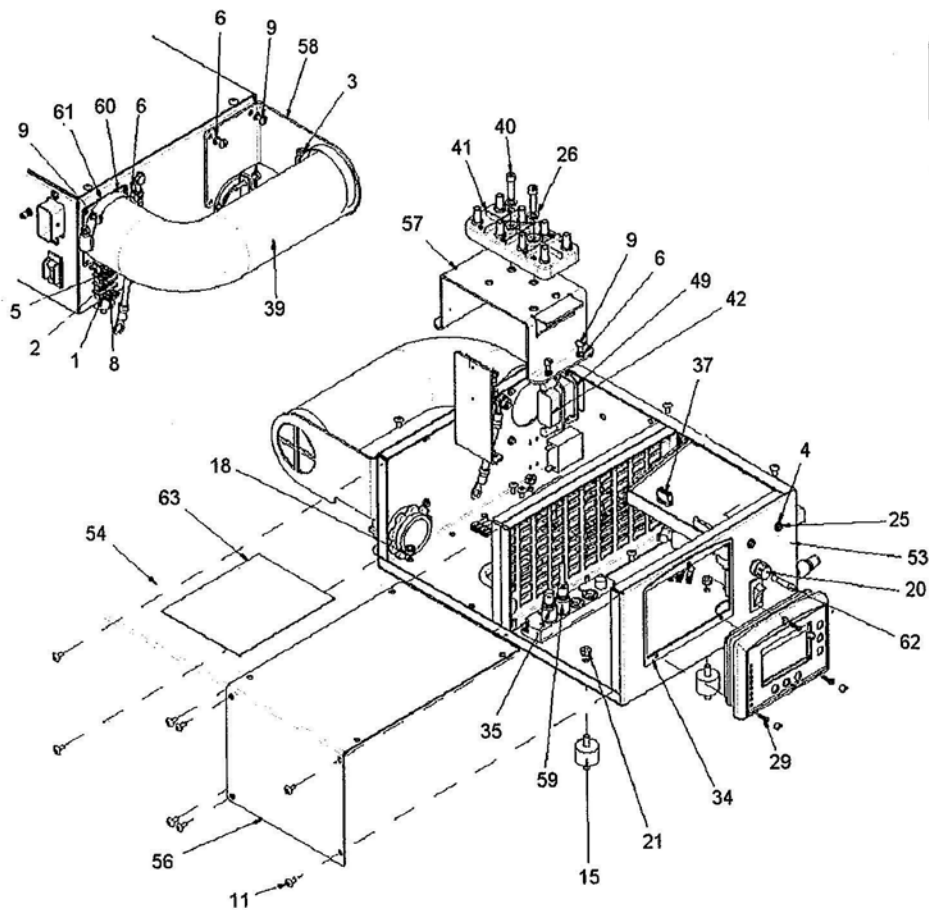
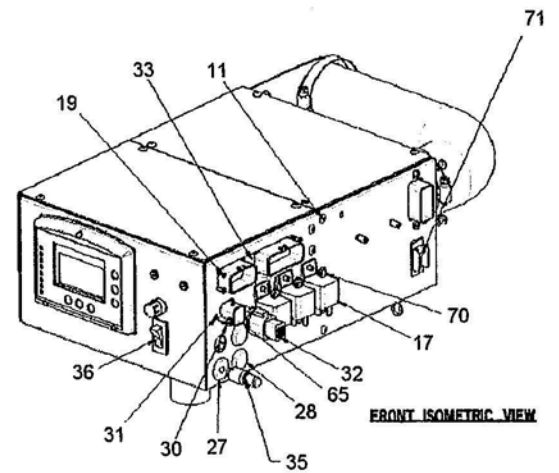
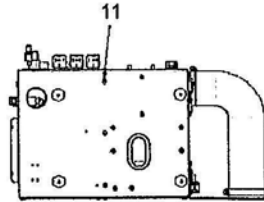
DIGITAL DIESEL - 33.0 EDE - 26.0 EDE - MOUNT SYSTEM

Reference #	Part #	Part Name	Remarks	Quantity
1-1	052914	RAIL ASSEMBLY	LEFT 33.0 EDE (inc. ref. 1 - 10)	Assy.
1-2	052915	RAIL ASSEMBLY	RIGHT 33.0 EDE (inc. ref. 1-11)	Assy.
2	015239	ISOLATOR	REAR	2
3	301136	ISOLATOR	FRONT	2
4	037792	SPACER	ISOLATOR TO RAIL 1-1/4 (Rear)	2
5	053497	SPACER	ISOLATOR TO RAIL 1.75" (Front)	2
6	052913	RAIL	GENSET 35.88LG	2
7	031559	CAPSCREW	5/16NCx2 (Rear)	8
8	200127	NUT	5/16-18 NC KEPS	16
9	031759	WASHER	FLAT 5/16	1
10	031561	CAPSCREW	5/16NCx2-1/2 (Front)	8
11	034713	STRAP	GROUND ENGINE TO RAIL	1
12	031744	NUT	1/2-13 NC	4
13	031776	LOCKWASHER	1/2 MED, SPLIT	4
14	024674	WASHER	ISOLATOR SNUBBING	4
15	033530	SHIELD	ISOLATOR (Front only)	2
16	024959	CAPSCREW	M12x1.25x25	8
17	031792	LOCKWASHER	M12 SPLIT	8
18	031777	WASHER	FLAT 1/2 (Rear only)	2
19-1	031714	CAPSCREW	1/2NCx3-1/4 (REAR)	2
19-2	031717	CAPSCREW	1/2NCx4 (FRONT)	2

DIGITAL DIESEL - 33.0 EDE - 26.0 EDE - PANEL BOX



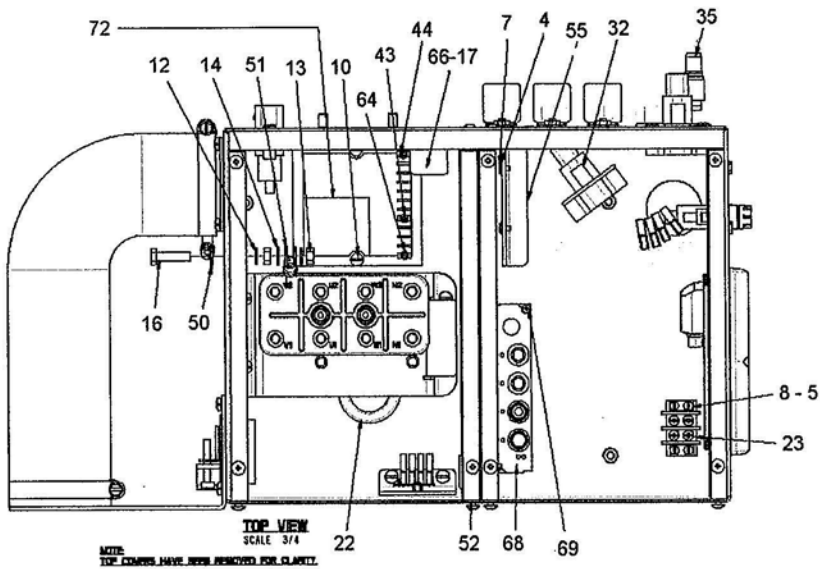
REFER TO WIRE DIAGRAM 52951



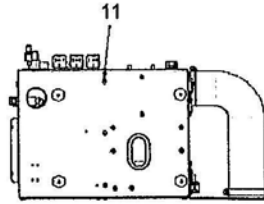
DIGITAL DIESEL - 33.0 EDE - 26.0 EDE - PANEL BOX ASSEMBLY

Reference #	Part #	Part Name	Remarks	Quantity
1	015222	PLATE	SCREW-TERMINAL BLOCK	4
2	015223	JUMPER	TERMINAL BLOCK	1
3	022559	CLAMP	HOSE # 40	2
4	031838	WASHER	FLAT 6 SS	4
5	031839	LOCKWASHER	6 MED SS	8
6	031849	LOCKWASHER	10 MED SS	13
7	031852	SCREW	6-32 X 1/4 SS	2
8	031854	SCREW	6-32 X 1/2 SS	8
9	031871	SCREW	10-32 X 3/8 SS	13
10	031874	SCREW	10-32x3/4 SS BH	2
11	031891	SCREW	8-32 X 3/8 TRUSS	24
12	032493	LOCKWASHER	1/4 IT BRONZE	2
13	032498	NUT	1/4-20 NC BRASS	2
14	032499	WASHER	FLAT 1/4 BRASS	2
15	036652	ISOLATOR	PANEL	4
16	038622	CAPSCREW	1/4NCx1 BRONZ FULLTHD	1
17-1	041150	RELAY	12VDC 30A W/DIODE	4
17-2	053595	RELAY	24VDC 20A W/DIODE	4
18	041462	CONNECTOR	BOX 1-1/2 DIA INSUL	1
19	042819	SCREW	4-40x5/16 SS PHIL PAN HD	6
20	043747	HOLDER	FUSE .25x1.25 20A 250V	1
21	045545	NUT	M 6 KEPS	4
22	046802	GROMMET	1.50 x 1.25 SLOT	1
23	047213	BLOCK	TERMINAL 2 POS 20A 2ROW	2
24	049191	STANDOFF	6-32x3/16 NYLON HEX	2
25	049518	SCREW	6-32x5/8 SS HEX SLOTHEAD	2
26	052055	LOCKWASHER	1/4 SPLIT MED SS304	2
27	052464	GROMMET	1/4ID,3/4 HOLE,1/16TK	2
28	052467	PLUG	BUTTON PLASTIC 0.750IN	2
29	052510	SCREW	6-32x1/2 SS PHIL PAN HD	3
30	052513	SCREW	10x1/2 PHIL PAN THD CUTG	4
31	052516	GASKET	CONNECTOR 52509	1
32	052557	CONNECTOR	REMOTE S/S W/PLUGS	2
33	052699	GASKET	ECU SEAL	1
34	052701	GASKET	DIGITAL DISPLAY SEAL	1
35	052711	RESISTOR	TERMINATOR MALE	2
36	052732	BREAKER	CIRCUIT 20 AMP	1
37	052872	CONNECTOR	MALE 10 POS ECU TERM	1
38	052928	BRACKET	AC SENSE BOARD 33 EDE	1
39	052935	HOSE	SG FRAME TO PANEL BOX	1
40	052943	CAPSCREW	1/4NCx7/8 SOCKET HEAD	2

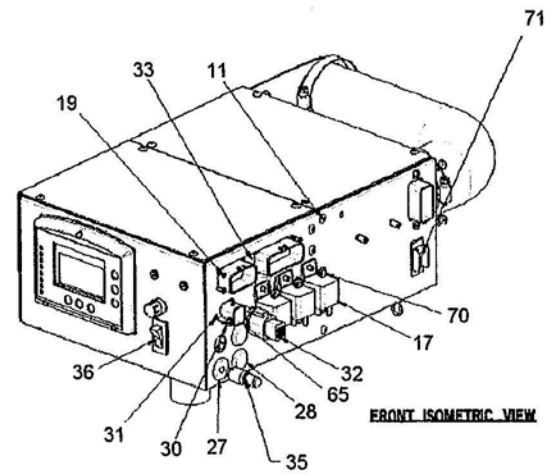
DIGITAL DIESEL - 33.0 EDE - 26.0 EDE - PANEL BOX



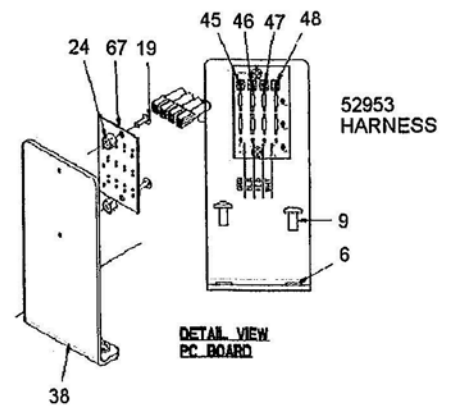
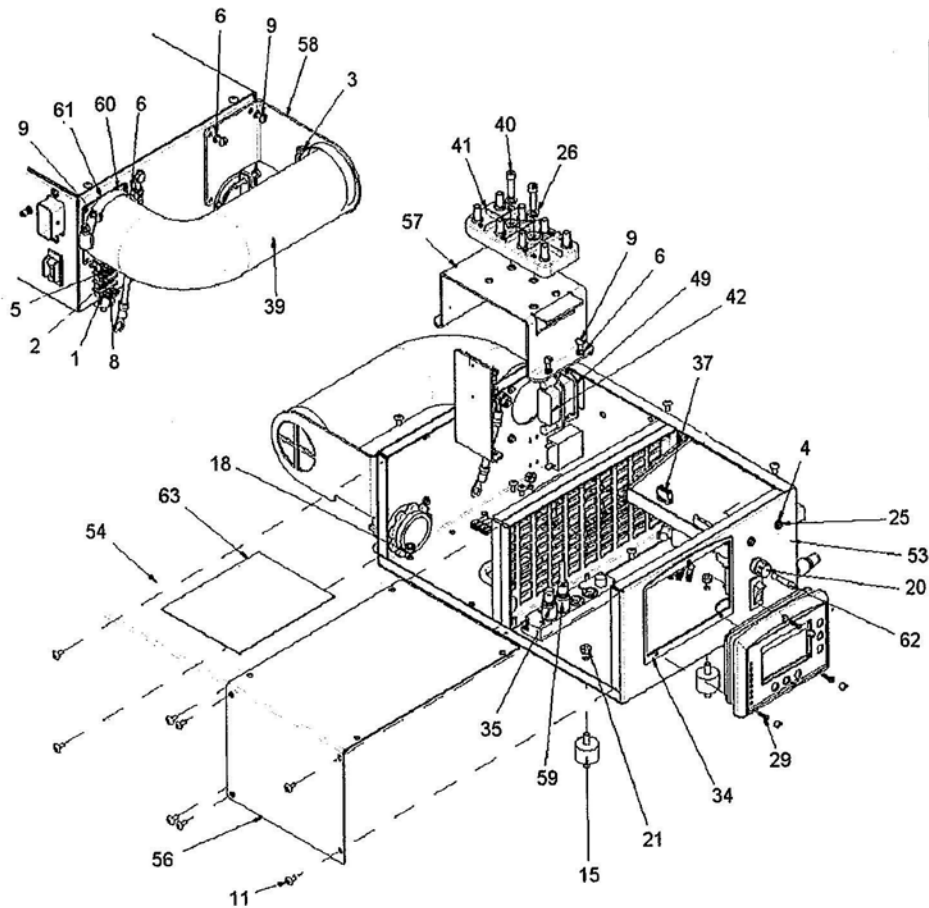
REFER TO WIRE DIAGRAM 52951



BOTTOM VIEW



FRONT ISOMETRIC VIEW



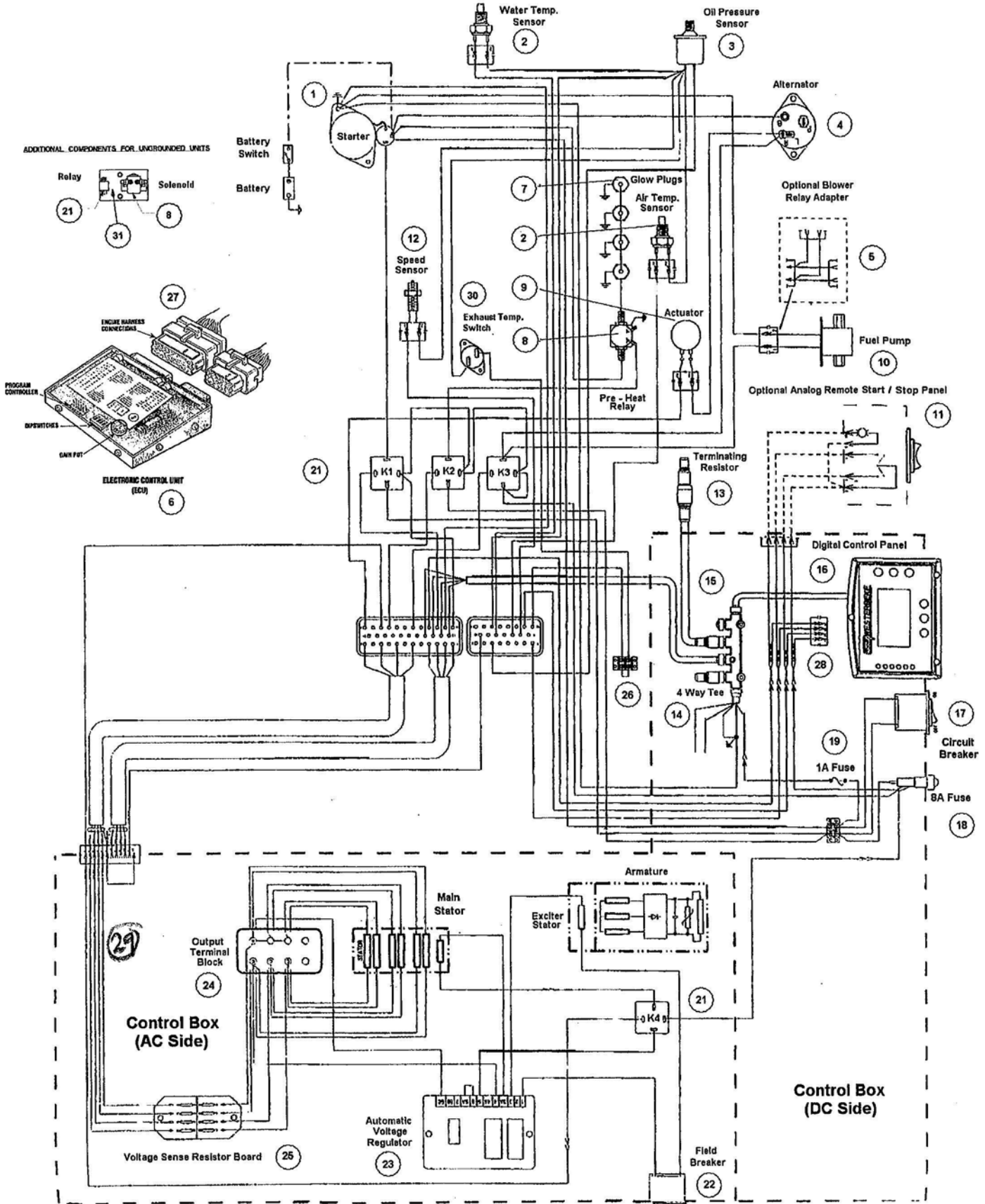
DIGITAL DIESEL - 33.0 EDE - 26.0 EDE - PANEL BOX ASSEMBLY

Reference #	Part #	Part Name	Remarks	Quantity
41	052945	BLOCK	TERMINAL 8 POS 2 ROW	1
42	052953	HARNESS	BULKHEAD AC CONNECTOR	1
43	052955	WIRE	AVR4 TO L1	1
44	052956	WIRE	AVR5C TO N	1
45	052961	WIRE	RESISTOR BOARD TO N WHITE	1
46	052963	WIRE	RESISTOR BOARD TO L1 RED	1
47	052964	WIRE	RESISTOR BOARD TO L2 BLK	1
48	052965	WIRE	RESISTOR BOARD TO L3 GREEN	1
49	052967	GASKET	CONNECTOR 52953	1
50	052968	WIRE	GROUND PANEL 33.0 EDE	1
51	052969	WIRE	GROUND BOX-T BLOCK 33 EDE	1
52	052989	DIVIDER	PANEL BOX 33.0 EDE	1
53	053827	BOX	CONTROL PANEL 26-33 D-NET	1
54	052991	COVER	PANEL BOX AC SIDE 33 EDE	1
55	052992	BRACKET	ECU MOUNTING 33.0 EDE	1
56	052995	COVER	PANEL BOX DC SIDE 33 EDE	1
57	052996	BRACKET	TERMINAL BLOCK 33 EDE	1
58	052997	BRACKET	SCREEN INLET 33.0 EDE	1
59	053025	CABLE	NMEA 1/2M M/F MICRO-C	1
60	053043	BRACKET	SCREEN INLET 33.0 EDE	1
61	053044	GASKET	PANEL AIR INLET FLANGE	1
62	053079	FUSE	12A,32V,.25x1.25 AGC-12	1
63	053328	LABEL	AC WIRING 33 EDE	1
64	053489	WIRE	AVR1 TO BRKR 33 EDE	1
65	053490	ADAPTER	D-NET PANEL BOX 'Y'	1
66	053506	HARNESS	RELAY WITH CONNECTOR	1
67	053762	PC BOARD	ASSY,VOLTAGE SENSE 1P	1
68-1	052738	ADAPTER	NMEA 4 OUTLET MICRO-C (Pre JA date code)	1
68-2	054656	ADAPTER	NMEA 4 OUTLET MICRO-C (Post JA date code)	1
69	054673	SCREW	4-40x3/8 TAPNG PAN PHIL	2
70	200125	NUT	10-32 KEPS	4
71	053633	BREAKER	CIRCUIT 3 AMP	1
72	055399	REGULATOR	VOLTAGE 17-33 EDE	1

Not shown on illustration.

053005	WIRE	TERMINAL TO BREAKER / FUSE	1
053006	WIRE	TERMINAL BLOCK TO BREAKER	1
053008	WIRE	FUSE 1 AMP (Holder, includes fuse)	1
041281	FUSE	1A,250V	1
053505	CONVERTER	DC 24V WITH LEADS	1

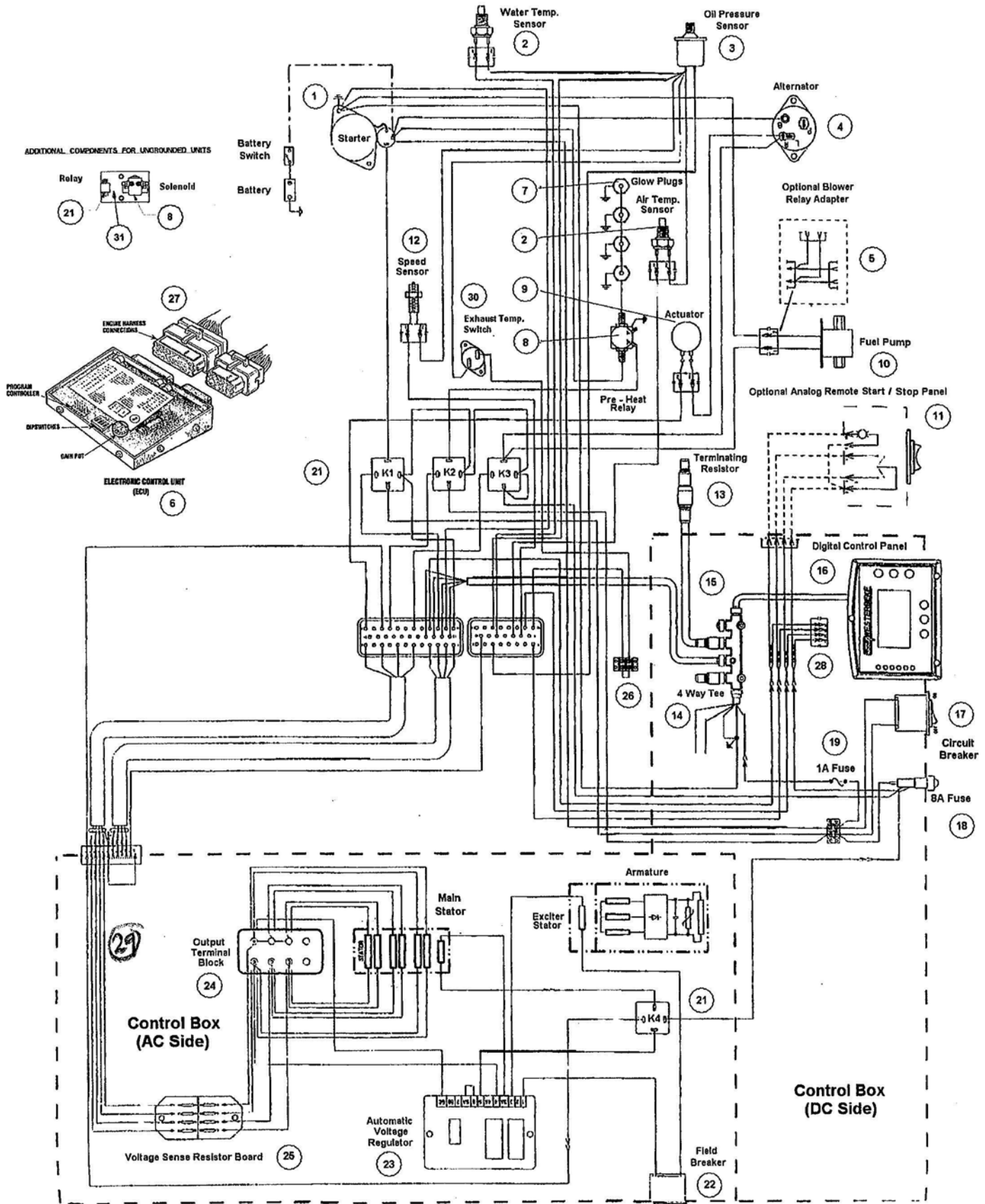
DIGITAL DIESEL - 33.0 EDE - 26.0 EDE - ELECTRICAL



DIGITAL DIESEL - 33.0 EDE - 26.0 EDE - ELECTRICAL

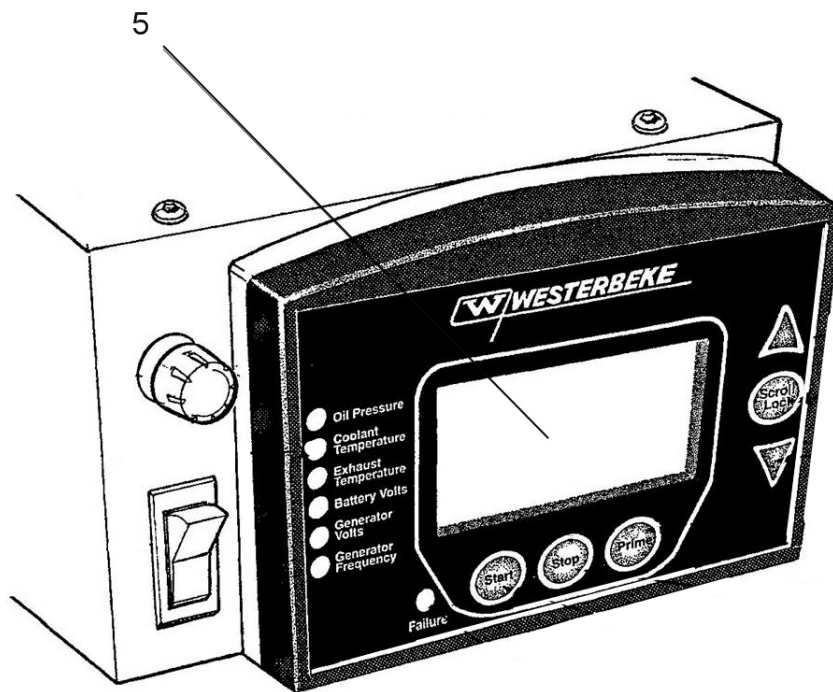
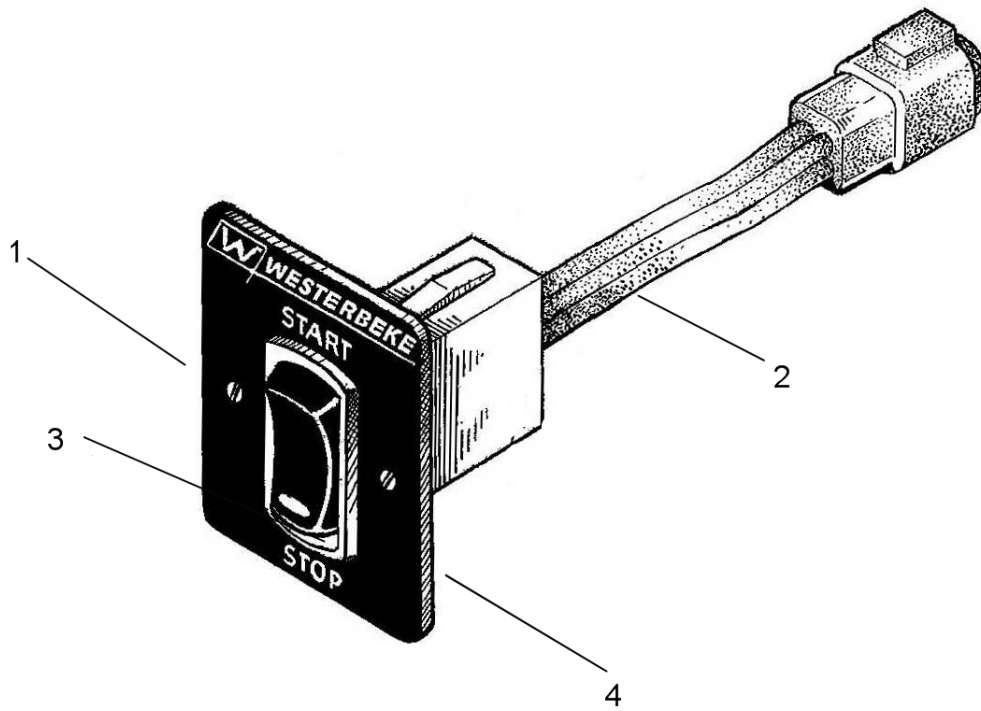
Reference #	Part #	Part Name	Remarks	Quantity
1-1	053259	MOTOR	STARTER 12VDC 33.0 EDE	1
1-2	053899	MOTOR	STARTER 24VDC 33.0 EDE	1
2	042198	SENSOR	TEMPERATURE (AIR / WATER)	2
3	049197	SENDER	OIL PRESS 100PSI UNGND	1
4-1	053281	ALTERNATOR	12VDC, 60A (NLA use retrofit kit 55417)	1
4-3	038530	ALTERNATOR	24VDC 42A W/REG	1
4-4	039462	ALTERNATOR	24VDC, 42A UNGND	1
5	052274	HARNESS	LIFT PUMP ADAPTER	1
6-1	052973	CONTROLLER	33.0EDT 12V WLK (provide ser # on order)	1
6-2	053674	CONTROLLER	33.0EDT 24V WLK (provide ser # on order)	1
6-3	053665	CONTROLLER	33.0EDT 12V N2K (provide ser # on order)	1
6-4	053675	CONTROLLER	33.0EDT 24V N2K (provide ser # on order)	1
6-5	054888	CONTROLLER	33.0EDE 12UNG WLK (provide ser # on order)	1
6-6		CONTROLLER	33.0EDE 24UNG WLK (provide ser # on order)	1
6-7		CONTROLLER	33.0EDE 12UNG N2K (provide ser # on order)	1
6-8		CONTROLLER	33.0EDE 24UNG N2K (provide ser # on order)	1
7-1	053140	GLOWPLUG	12VDC	4
7-2	053835	GLOWPLUG	24VDC	4
8-1	024639	SOLENOID	12VDC (Standard Case Grounded)	1
8-2	022249	SOLENOID	24VDC (For both grounded or un-grounded 24V)	1
8-3	011489	SOLENOID	12VDC ISOLATED GROUND	1
9-1	052936	ACTUATOR	12VDC 33.0 EDE	1
9-2	053496	ACTUATOR	24VDC 33.0 EDE	1
10-1	052853	PUMP	LIFT 12V DIESEL SEAL CONN	1
10-2	053474	PUMP	LIFT 24V DIESEL SEAL CONN	1
11-1	052560	PANEL	REMOTE ST-STOP D-NET 12V (Analog)	1
11-2	053503	PANEL	REMOTE ST-STOP D-NET 24V (Analog)	1
12	048807	SENSOR	SPEED	1
13	052711	RESISTOR	TERMINATOR MALE	2
14-1	052738	ADAPTER	NMEA 4 OUTLET MICRO-C (Pre JA date code)	1
14-2	054656	ADAPTER	NMEA 4 OUTLET MICRO-C (Post JA date code)	1
15	053026	CABLE	NMEA 1M M/F MICRO-C	1
16-1	052751	DISPLAY	REMOTE RC20 NMEA 2000	1
16-2	052743	DISPLAY	REMOTE RC20 WESTERLINK	1
17	052732	BREAKER	CIRCUIT 20 AMP	1
18-1	053079	FUSE	12A,32V	1
18-2	043747	HOLDER	FUSE	1
19-1	041281	FUSE	1A,250V	1
19-2	053008	WIRE	FUSE / HOLDER (Includes 1 AMP fuse)	1
20	043747	HOLDER	FUSE .25x1.25 20A 250V	1

DIGITAL DIESEL - 33.0 EDE - 26.0 EDE - ELECTRICAL



DIGITAL DIESEL - 33.0 EDE - 26.0 EDE - ELECTRICAL

Reference #	Part #	Part Name	Remarks	Quantity
21-1	041150	RELAY	12VDC 30A W/DIODE	4
21-2	053595	RELAY	24VDC 20A W/DIODE	4
22	053633	BREAKER	CIRCUIT 3 AMP	1
23	055399	REGULATOR	VOLTAGE 17-33 EDE	1
24	052945	BLOCK	TERMINAL 8 POS 2 ROW	1
25	053762	PC BOARD	ASSY,VOLTAGE SENSE 1P	1
26-1	015222	PLATE	SCREW-TERMINAL BLOCK	2
26-2	015223	JUMPER	TERMINAL BLOCK	1
27-1	052933	HARNESS	GENSET 33.0 EDE	1
27-2	054531	HARNESS	GENSET 33.0 EDE UNGND	1
28	052746	CABLE	PANEL BOX (Buss Power)	1
29	052953	HARNESS	BULKHEAD AC CONNECTOR	1
30	032923	SWITCH	EXHAUST TEMPERATURE	1
31	054532	BRACKET	SOLENOID/RELAY UNGND	1
Not Shown On Illustration				
	054535	WIRE	10GA BLACK 20" (Block Ground UNGD)	1



DIGITAL DIESEL - 33.0 EDE - 26.0 EDE - PANEL, REMOTE CONTROL

Reference #	Part #	Part Name	Remarks	Quantity
1-1	052560	PANEL	REMOTE ST-STOP D-NET 12V	1
1-2	053503	PANEL	REMOTE ST-STOP D-NET 24V	1
2	052552	HARNESS	REMOTE START-STOP DD	1
3-1	049200	SWITCH	ROCKER S/S12V GREEN LED	1
3-2	053502	SWITCH	ROCKER S/S24V GREEN LED	1
4	048055	PANEL	PLATE REMOTE CTL	1
5-1	052743	DISPLAY	REMOTE RC20 WESTERLINK	per sys
5-2	052751	DISPLAY	REMOTE RC20 NMEA 2000	per sys
Not show on illustration				
	052959	CABLE	15' EXTENSION ELECTR DSL	per sys
	052789	CABLE	30' EXTENSION ELECTR DSL	per sys
	052960	CABLE	65' EXTENSION ELECTR DSL	per sys

For digital panel extension cables see MISC. page 148

DIGITAL DIESEL - 33.0 EDE - 26.0 EDE - MISC.

Reference #	Part #	Part Name	Remarks	Quantity
1	053101	PARTS KIT A	33.0 EDE	1
2	053102	PARTS KIT B	33.0 EDE	1
3	054058	PARTS KIT B	33.0 EDE 24VDC	1
4	054849	HOSE KIT	25.5-33.0 EDE	1
5	053103	GASKET SET	UPPER 33.0 EDE	1
6	053104	GASKET SET	COMPLETE 33.0 EDE	1
7	053100	KIT	HARDWARE 33.0 EDE	1
8	053025	CABLE	NMEA 1/2M M/F MICRO-C	1
9	053026	CABLE	NMEA 1M M/F MICRO-C	1
10	053027	CABLE	NMEA 2M M/F MICRO-C	1
11	053029	CABLE	NMEA 4M M/F MICRO-C	1
12	053030	CABLE	NMEA 5M M/F MICRO-C	1
13	053031	CABLE	NMEA 6M M/F MICRO-C	1
14	053032	CABLE	NMEA 7M M/F MICRO-C	1
15	053033	CABLE	NMEA 8M M/F MICRO-C	1
16	053035	CABLE	NMEA 10M M/F MICRO-C	1
17	053061	CABLE	NMEA 12.2M M/F MICRO-C	1
18	032133	SWITCH	SHORE	1
19	013758	PAINT	RED AEROSOL CAN	1
20	042307	PAINT	WHITE AEROSOL CAN	1
21	053042	MANUAL	OPERATOR 33.0 EDE/EDEA	1
22	053017	MANUAL	SERVICE	1
23	054372	FILTER	REMOTE LUBE OIL 33 EDE	1
24	052905	BRACKET	BELT GUARD	3
25	052916	SPACER	BELT GUARD	3
26	033228	WINGSCREW	10-32 x 1/2	3
27	052656	GUARD	BELT 33.0 EDE	1
28	038698	DRIPTRAY	GENSET	1

Numerical Parts Index

Part #	Page	Ref.	Part #	Page	Ref.	Part #	Page	Ref.
NA	101		299898	105	6	200758	107	30
302587	101	1	299355	105	7	053174	109	1
053272	101	2	302589	105	8	053158	109	2
200956	101	3	302587	105	9	053156	109	3
302690	101	4	301550	105	10	NA	109	4
299897	101	5	053146	105	11	NA	109	5
299958	101	6	053283	105	12-1	NA	109	6
053274	101	7	053284	105	12-2	200747	109	7
053121	101	8	053285	105	12-3	053175	109	8
053122	101	9	052911	105	13	053155	109	9
301485	101	10	053159	105	14	053152	109	10
053207	101	11	200747	105	15	NA	109	11
053151	101	12	053160	105	16	053125	109	12
299897	101	13	033654	105	17	053205	109	13
302690	101	14	033649	105	18	053120	109	14
298658	101	15	053131	105	19	053268	109	15
298659	101	16	052908	105	20	053157	109	16
053218	101	17	200753	107	1	298741	111	1
053124	101	18	054124	107	2	053176	111	2
053113	101	19	053162	107	3	053177	111	3
053144	101	20	053163	107	4	053127	111	4
NA	101	21	053165	107	5	053182	111	5
053208	101	22	298711	107	6	299531	111	6
	101	23	299442	107	7	053181	111	7
054556	101		298712	107	8	048463	111	8
053145	103	1	299440	107	9	053196	111	9
300151	103	2	298713	107	10	053197	111	10
300612	103	3	200647	107	11	053198	111	11
053269	103	4	053164	107	12	033648	111	12
NA	103	5	053166	107	13	053193	111	13
053202	103	6	053169	107	14	053200	111	14
053115	103	7	053106	107	15	053194	111	15
048463	103	8	053172	107	16	053200	111	16
037393	103	9	200638	107	17	053199	111	17
036823	103	10	053173	107	18	053278	113	1-1
030846	103	11	053108	107	19	053279	113	1-2
024922	103	12	053288	107	20	053276	113	2-1
024905	103	13	053168	107	21	053277	113	2-2
301023	103	14	301707	107	22	053183	113	3
036493	103	15	301708	107	23	053107	113	4
036647	103	16	053170	107	24	053290	113	5
052912	105	1	053167	107	25	053184	113	6
299031	105	2	298715	107	26	053185	113	7
200657	105	3		107	27	053291	113	8-1
033668	105	4	053287	107	28	053292	113	8-2
053303	105	5	053171	107	29	053293	113	8-3

Numerical Parts Index

Part #	Page	Ref.	Part #	Page	Ref.	Part #	Page	Ref.
053294	113	8-4	033648	115	18		117	44
053266	113	9	042106	115	19	053275	117	45
053295	113	10	200865	115	20		117	46
048463	113	11	053228	117	1		117	47
053186	113	12	015830	117	2		117	48
053195	113	13	053229	117	3	053252	119	1
299549	113	14	041417	117	4	053300	119	2
053211	113	15		117	5		119	3
053296	113	16-1		117	6	053301	119	4
053297	113	16-2		117	7	053280	119	5
053298	113	16-3		117	8	053247	119	6
053187	113	17-1	053232	117	9	053118	119	7
053189	113	17-2	053233	117	10	053258	119	8
053190	113	17-3	053310	117	11	053112	119	9
053188	113	18-1	053225	117	12	298720	119	10
053191	113	18-2	301507	117	13	053253	119	11
053192	113	18-3		117	14	053321	119	12
	113	19	299359	117	15	053123	119	13
053313	113	20	053245	117	16	053255	119	14
053314	113	21	045389	117	17	053118	119	15
031786	113	22	053178	117	18	200672	119	16
033381	113	23	053309	117	19	053254	119	17
013630	113	24	053128	117	20	053123	119	18
033650	113	25	299537	117	21	301489	119	19
053320	113	26	053132	117	22	053271	119	20
033668	113	27	053289	117	23	053248	119	21
053319	113	28		117	24		119	22
053267	113	29	302744	117	25	053111	119	23
053308	113	30	053179	117	26	053109	119	24
053147	115	1	053180	117	27	053110	119	25
053215	115	2		117	28	053249	119	26
053214	115	3	053235	117	29	053250	119	27
300612	115	4	053227	117	30	053251	119	28
053216	115	5		117	31	053256	119	29
053209	115	6	033668	117	32		119	30
053210	115	7	048463	117	33	053246	119	31
045769	115	8	298659	117	34	048462	119	32
053273	115	9	200861	117	35	053270	119	33
053204	115	10	036211	117	36	053244	119	34
301763	115	11	053138	117	37	053243	119	35
045391	115	12	053206	117	38	301581	119	36
053286	115	13	053143	117	39	200649	119	37
053114	115	14	053136	117	40	302746	119	38
053116	115	15	053231	117	41	301241	119	39
053148	115	16		117	42	298826	119	40
053149	115	17		117	43		119	41

Numerical Parts Index

Part #	Page	Ref.	Part #	Page	Ref.	Part #	Page	Ref.
053242	119	42	053142	123	34	043902	127	21
	119	43	053141	123	35	049197	127	22
301493	119	44	052985	123	36	019369	127	23
298659	119	45	041429	123	37	011981	127	24
200721	121	46	048076	123	38	031786	127	25
301416	121	47	013340	123	39	031787	127	26
	121	48	022513	123	40	013630	127	27
302746	121	49	043881	123	41	013610	127	28
301241	121	50	015816	123	42-1	040629	127	29
301578	121	51	031783	123	42-2	031503	127	30-1
298659	121	52	031784	123	42-3	031572	127	30-2
052936	121	53-1	052652	123	43	040074	127	31
053496	121	53-2	052853	123	44-1	011925	127	32
053226	123	1	053474	123	44-2	013348	127	33
053234	123	2	053236	125	1	020983	127	34
033642	123	3	200567	125	2	020455	127	35
033668	123	4	303170	125	3	049762	129	1-1
301747	123	5		125	4	038221	129	1-2
300050	123	6		125	5	038153	129	1-3
053230	123	7		125	6	049003	129	1-4
200665	123	8		125	7	036614	129	1-5
053223	123	9		125	8	042424	129	1-6
053130	123	10	053237	125	9	053332	129	2-1
040384	123	11		125	10	053161	129	2-2
298794	123	12	301303	125	11	052493	129	3
053129	123	13	200617	125	12	011885	129	4
053222	123	14	053322	127	1	052917	129	5
053302	123	15	053120	127	2	011779	129	6
053236	123	16	053217	127	3	052650	129	7
301303	123	17	053137	127	4	036614	129	8
200617	123	18	053203	127	5	052596	129	9
053238	123	19	053219	127	6	052934	129	10
053239	123	20	301083	127	7	052653	129	11
053240	123	21	053220	127	8	053308	129	12
053241	123	22	053312	127	9	052935	129	13
301306	123	23	301083	127	10	053319	129	14
301307	123	24	053221	127	11	053266	129	15
020650	123	25	301083	127	12	052912	129	16
031786	123	26	048463	127	13	022850	129	17
299830	123	27	053213	127	14	022851	129	18
053133	123	28	053212	127	15	019321	129	19
298659	123	29	054127	127	16	022852	129	20
052918	123	30	053213	127	17	052946	129	21
053139	123	31	052980	127	18	053282	129	22
030291	123	32	011984	127	19	053305	129	23
053224	123	33	024844	127	20	052583	129	24

Numerical Parts Index

Part #	Page	Ref.	Part #	Page	Ref.	Part #	Page	Ref.
011471	129	25	053372	133	10	019262	135	
024306	129	26	017012	133	11	034589	135	
053317	129	27	031783	133	12	299031	135	
052911	129	28	053368	133	13	052914	137	1-1
033709	129	29	053371	133	14	052915	137	1-2
	129	30	053373	133	15	015239	137	2
033643	129	31	302581	133	16	301136	137	3
053315	129	32	053366	133	17	037792	137	4
053265	129	33	053367	133	18	053497	137	5
053316	129	34	053370	133	19	052913	137	6
053126	131	35	053375	133		031559	137	7
200747	131	36	048250	133		200127	137	8
053318	131	37	052590	135	1	031759	137	9
033645	131	38	052648	135	2	031561	137	10
053318	131	39	053201	135	3	034713	137	11
053117	131	40	053311	135	4-1	031744	137	12
011341	131	41	053337	135	5	031776	137	13
053218	131	42	024952	135	6	024674	137	14
053126	131	43	053259	135	7-1	033530	137	15
033647	131	44	053899	135	7-2	024959	137	16
033642	131	45	053260	135	8-1	031792	137	17
241019	131	46	053297	135	8-2	031777	137	18
299371	131	47	053135	135	9	031714	137	19-1
053134	131	48	054978	135	10	031717	137	19-2
201000	131	49	053150	135	11	015222	139	1
053264	131	50	055479	135	12	015223	139	2
053262	131	51	055400	135	13	022559	139	3
053263	131	52	055397	135	14	031838	139	4
033641	131	53	055396	135	15	031839	139	5
019369	131	54	055382	135	16	031849	139	6
052600	131	55	055477	135	17	031852	139	7
038193	131	56	055478	135	18	031854	139	8
039949	131	57	052048	135	19	031871	139	9
048194	131	58	055398	135	20	031874	139	10
024907	131	59	055393	135	21	031891	139	11
018811	131	60	055401	135	22	032493	139	12
018804	131	61	054361	135	23	032498	139	13
052650	133	1	055476	135	24	032499	139	14
034463	133	2	053857	135		036652	139	15
049170	133	3	031501	135		038622	139	16
302570	133	4	031752	135		041150	139	17-1
53374	133	5	031753	135		053595	139	17-2
302574	133	6	040603	135		041462	139	18
53369	133	7	031797	135		042819	139	19
302573	133	8	031798	135		043747	139	20
302575	133	9	013629	135		045545	139	21

Numerical Parts Index

Part #	Page	Ref.	Part #	Page	Ref.	Part #	Page	Ref.
046802	139	22	052738	141	68-1	053079	143	18-1
047213	139	23	054656	141	68-2	043747	143	18-2
049191	139	24	054673	141	69	041281	143	19-1
049518	139	25	200125	141	70	053008	143	19-2
052055	139	26	053633	141	71	043747	143	20
052464	139	27	055399	141	72	041150	145	21-1
052467	139	28	053005	141		053595	145	21-2
052510	139	29	053006	141		053633	145	22
052513	139	30	053008	141		055399	145	23
052516	139	31	041281	141		052945	145	24
052557	139	32	053505	141		053762	145	25
052699	139	33	053259	143	1-1	015222	145	26-1
052701	139	34	053899	143	1-2	015223	145	26-2
052711	139	35	042198	143	2	052933	145	27-1
052732	139	36	049197	143	3	054531	145	27-2
052872	139	37	053281	143	4-1	052746	145	28
052928	139	38	038530	143	4-3	052953	145	29
052935	139	39	039462	143	4-4	032923	145	30
052943	139	40	052274	143	5	054532	145	31
052945	141	41	052973	143	6-1			
052953	141	42	053674	143	6-2	054535	145	
052955	141	43	053665	143	6-3	052560	147	1-1
052956	141	44	053675	143	6-4	053503	147	1-2
052961	141	45	054888	143	6-5	052552	147	2
052963	141	46		143	6-6	049200	147	3-1
052964	141	47		143	6-7	053502	147	3-2
052965	141	48		143	6-8	048055	147	4
052967	141	49	053140	143	7-1	052743	147	5-1
052968	141	50	053835	143	7-2	052751	147	5-2
052969	141	51	024639	143	8-1	052959	147	
052989	141	52	022249	143	8-2	052789	147	
053827	141	53	011489	143	8-3	052960	147	
052991	141	54	052936	143	9-1	053101	148	1
052992	141	55	053496	143	9-2	053102	148	2
052995	141	56	052853	143	10-1	054058	148	3
052996	141	57	053474	143	10-2	054849	148	4
052997	141	58	052560	143	11-1	053103	148	5
053025	141	59	053503	143	11-2	053104	148	6
053043	141	60	048807	143	12	053100	148	7
053044	141	61	052711	143	13	053025	148	8
053079	141	62	052738	143	14-1	053026	148	9
053328	141	63	054656	143	14-2	053027	148	10
053489	141	64	053026	143	15	053029	148	11
053490	141	65	052751	143	16-1	053030	148	12
053506	141	66	052743	143	16-2	053031	148	13
053762	141	67	052732	143	17	053032	148	14

Numerical Parts index

Part #	Page	Ref.	Part #	Page	Ref.	Part #	Page	Ref.
053033	148	15						
053035	148	16						
053061	148	17						
032133	148	18						
013758	148	19						
042307	148	20						
053042	148	21						
053017	148	22						
054372	148	23						
052905	148	24						
052916	148	25						
033228	148	26						
052656	148	27						
038698	148	28						